

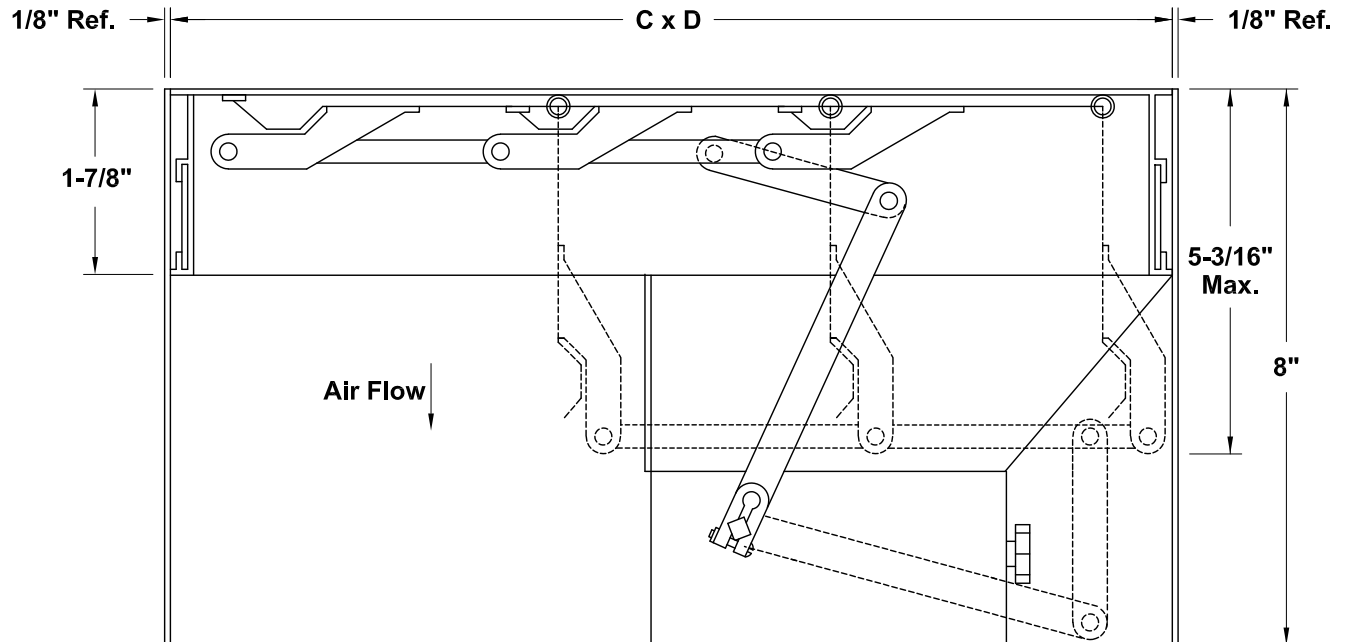
DATE: _____

Motorized Intake Backdraft Damper

PROJECT: _____

TRE and GI Gravity Units

LOCATION: _____


STANDARD CONSTRUCTION FEATURES:

.020 aluminum blades - .060 aluminum frame - .080 aluminum wrapper - Spring return to close - Aluminum hinge pin - Nylon bushings - Non-overloading motor.

DIMENSION DATA

Qty	Model No.*	Mark	Unit Type	Unit Throat Size		Damper Size	
				A	B	C	D

ALL DIMENSIONS IN INCHES.

*The damper model no. is formed from the width (C) and length (D) dimensions of the damper. For a 24 x 36 GI, the motorized intake backdraft damper model no. is BDMI - 23.5 x 35.5 (BDMI - C x D).

NOTES:

Max operating temperature 130°F (50°C).

Damper sizing:

GI damper sizing: Curb mounted - Width and length of damper is 1/2" smaller than width and length of unit throat
 $(C = A - 1/2, D = B - 1/2)$

TRE damper sizing: Throat mounted - Width and length of damper is 1-1/2" larger than width and length of unit throat
 $(C = A + 1-1/2, D = B + 1-1/2)$

(Optional) Curb mounted - Width and length of damper is 1/2" smaller than width and length of unit throat
 $(C = A - 1/2, D = B - 1/2)$

Motors are available in 115, 230, or 460 voltage.