



DATE: _____

PROJECT: _____

LOCATION: _____

Discharge Aluminum Construction
APB, APD, AWB, AWD, SWD
XWD, XWHD, XLW, XMW, XLP, XMP
Propeller Fans

DIMENSION DATA

Model No.		Prop Size	A Sq.	B Sq.	Number of Panels		Ship. Wt.	
Standard Duty	Heavy Duty				Standard Duty	Heavy Duty	Standard Duty	Heavy Duty
GSS-10	-	8	13	10-3/8	1	-	2	-
GSS-14	-	10	17	14-3/8	1	-	3	-
GSS-14	-	12	17	14-3/8	1	-	3	-
GSS-18	-	14	21	18-3/8	1	-	4	-
GSS-18	-	16	21	18-3/8	1	-	4	-
GSS-22	-	18	25	22-3/8	1	-	5	-
GSS-22	-	20	25	22-3/8	1	-	5	-
GSS-27	GSH-27	24	30	27-3/8	1	1	8	11
GSS-33	GSH-33	30	36	33-3/8	1	1	11	17
GSS-39	GSH-39	36	42	39-3/8	2	1	16	23
GSS-45	GSH-45	42	48	45-3/8	2	2	21	31
-	GSH-51	48	54	51-3/8	-	2	-	39
-	GSH-57	54	60	57-3/8	-	4	-	49
-	GSH-63	60	66	63-3/8	-	4	-	60

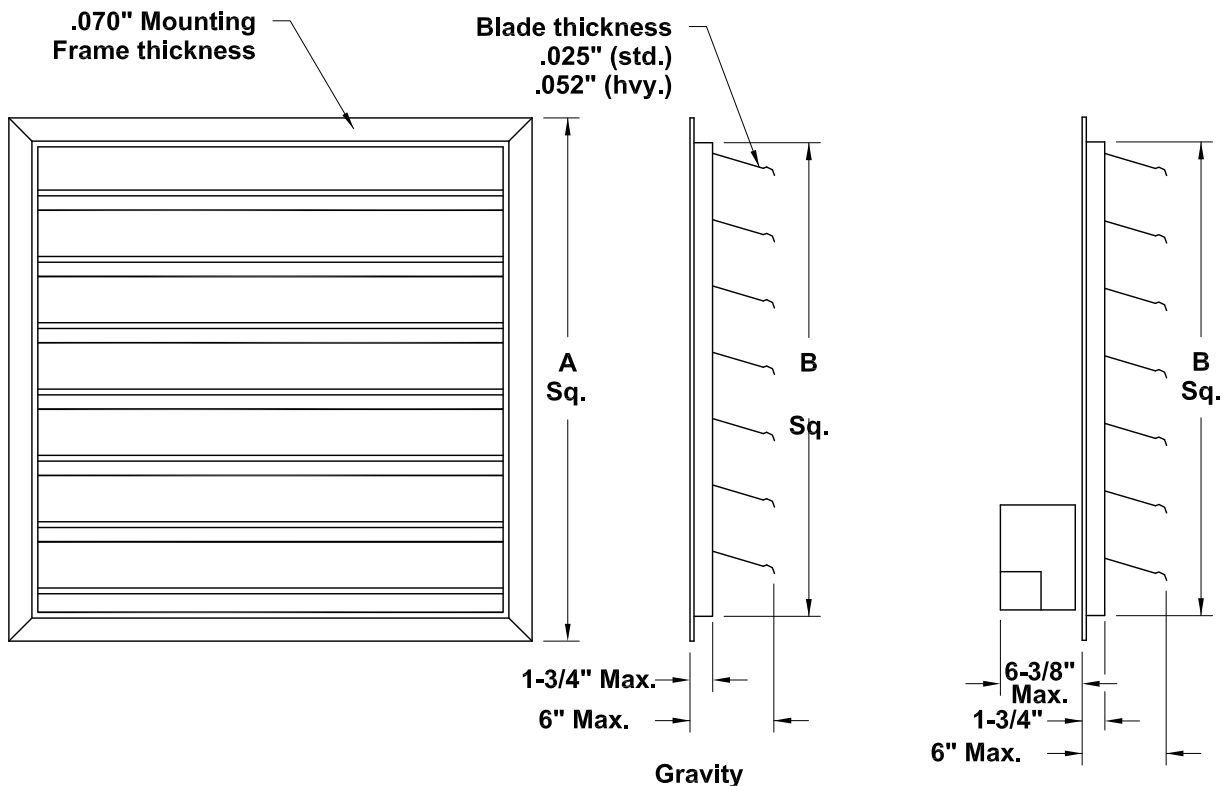
NOTES:

- 1) ONE ACTUATOR REQUIRED FOR MOTORIZING.
- 2) TO ORDER A MOTORIZED SHUTTER, SUBSTITUTE "M" FOR "G" IN MODEL NO.
- 3) ADD 2# TO SHIPPING WT FOR EACH MOTOR ON MOTORIZED UNITS.
- 4) MOTOR OPERATED DAMPERS REQUIRED FOR VELOCITIES BELOW 400 FPM. USE STANDARD DUTY SHUTTERS FOR DISCHARGE VELOCITIES OF 0-2000 FPM. USE HEAVY DUTY SHUTTERS FOR DISCHARGE VELOCITIES OF 2000-3000 FPM. MAXIMUM VELOCITY OF 3000 FPM.

ALL DIMENSIONS IN INCHES. WEIGHTS IN LBS.

STANDARD CONSTRUCTION FEATURES:

Blades are roll formed 5052 aluminum (Std.) or extruded 6063 T6 aluminum (Hvy.). Blades have vinyl edge gasket. Damper frame is extruded 6063 T6 aluminum. Extruded aluminum blade link bar connects each blade for uniform blade positioning. Blades pivot on full width extruded aluminum blade hanger for added strength.



THE MODEL GSS AND GSH SHUTTERS ARE DESIGNED TO REDUCE BACK DRAFTS; PREVENT ENTRY OF SOME FOREIGN MATERIAL AND PESTS, SUCH AS BIRDS; AND LIMIT THE AMOUNT OF RAIN THAT ENTERS THE BUILDING. THESE SHUTTERS ARE INTENDED TO BE WEATHER-RESISTANT, BUT ARE NOT WEATHER-PROOF FOR EXTREME CONDITIONS.