



DATE: _____

PROJECT: _____

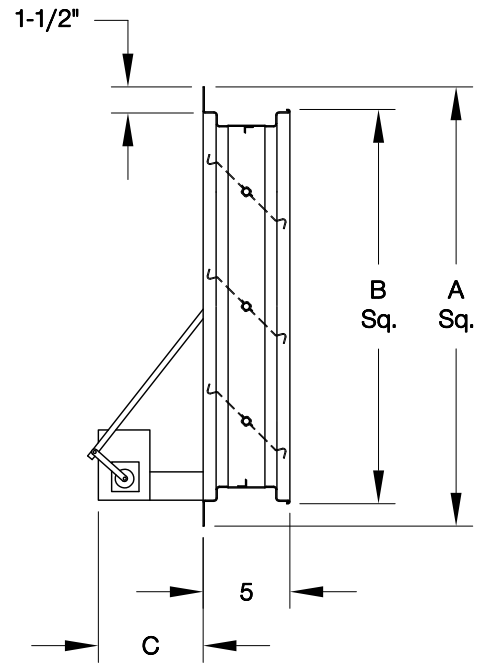
LOCATION: _____

Motorized Center Pivot Intake Shutter

DIMENSION DATA

Shutter Model	AWB,AWD SWD,XLW XMW,XWD	EWB	A Sq.	B Sq.	C	Ship Wt.
MIC-10	8	-	13	10	7-7/8	14
MIC-14	10-12	-	17	14	7-7/8	15
MIC-18	14-16	-	21	18	7-7/8	19
MIC-22	18-20	-	25	22	7-7/8	23
MIC-27	24	-	30	27	7-7/8	27
MIC-33	30	24	36	33	7-7/8	32
MIC-39	36	30	42	39	7-7/8	56
MIC-45	42	36	48	45	7-7/8	64
MIC-51	48	42	54	51	9-1/4	72
MIC-57	54	48	60	57	9-1/4	104
MIC-63	60	54	66	63	9-1/4	112
MIC-69	-	60	72	69	9-1/4	130
MIC-81	-	72	84	81	9-1/4	165

ALL DIMENSIONS IN INCHES. WEIGHTS IN LBS.



PREVENT ENTRY OF SOME FOREIGN MATERIAL AND PESTS SUCH AS BIRDS;
 THE MODEL MIC SHUTTERS ARE DESIGNED TO REDUCE BACKDRAFTS;
 AND LIMIT THE AMOUNT OF RAIN THAT ENTERS THE BUILDING. THESE
 SHUTTERS ARE INTENDED TO BE WEATHER-RESISTANT, BUT ARE NOT
 WEATHER PROOF FOR EXTREME CONDITIONS.

NOTES:

- 1) SHUTTER SIZES ARE THE SAME FOR UNITS WITH OR WITHOUT WALL COLLARS.
- 2) SHUTTER IS MOTORIZED OPEN - SPRING RETURN.
- 3) MOTORS ARE NON-OVERLOADING TYPE.
 AVAILABLE VOLTAGES - 24V AC/DC, 115-1PH, 230-1PH
 230-3PH AND 460-3PH ARE PROVIDED AS 115-1PH WITH A TRANSFORMER
- 4) ALL GALVANIZED STEEL CONSTRUCTION: BLADES 16 GA; FRAME 16GA.
- 5) ONE ACTUATOR IS USED ON SIZES UP THRU 69. TWO ACTUATORS ON SIZE 81.