



**COOK**

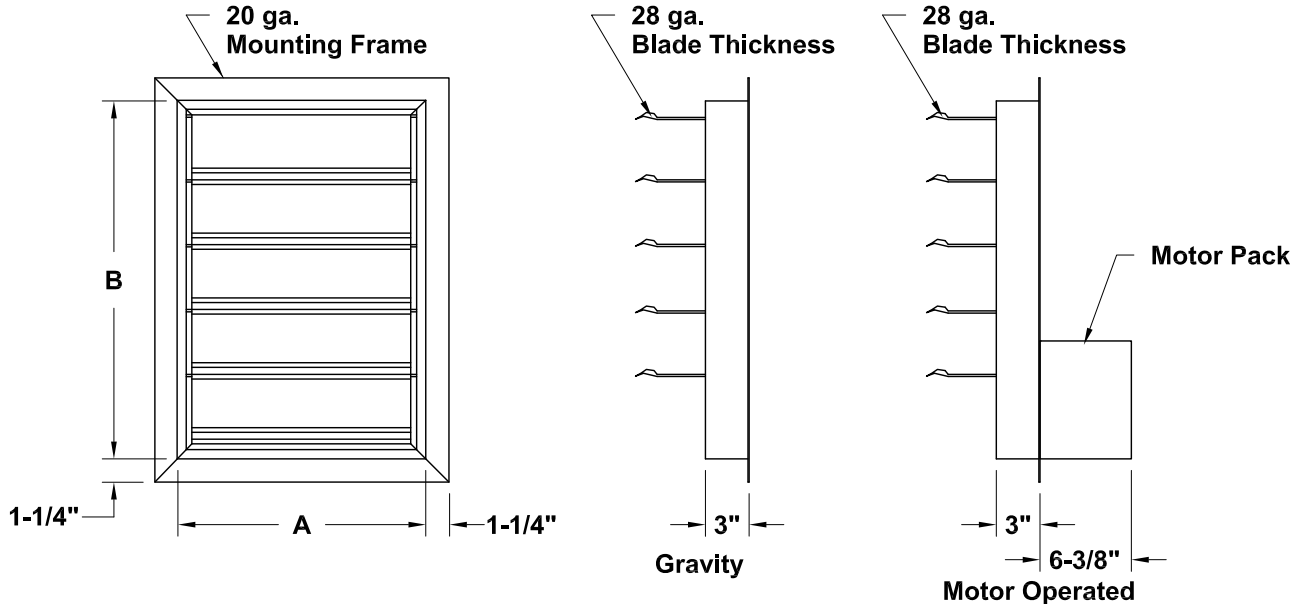
# Discharge Shutter

DATE: \_\_\_\_\_

PROJECT: \_\_\_\_\_

LOCATION: \_\_\_\_\_

Accessory Data Sheet  
Galvanized Construction  
CP, CA/CF SWSI



**STANDARD CONSTRUCTION FEATURES:**

Galvanized steel blades and frame - Stainless  
steel pivots - Vinyl blade edge seals.

**DIMENSION DATA**

CP Size	CA/CF SWSI Size	Shutter Model Number		A	B	Shipping Wt.	
		Gravity	Motor Operated			Gravity	Motor Operated
100	-	ADSG-100	MDSG-100	7-3/8	10-3/4	6	10
120	120	ADSG-120	MDSG-120	9	12-15/16	7	11
135	135	ADSG-135	MDSG-135	10-1/8	14-9/16	8	12
150	150	ADSG-150	MDSG-150	11-1/4	16-1/4	9	13
165	165	ADSG-165	MDSG-165	12-3/8	17-3/16	10	14
180	180	ADSG-180	MDSG-180	13-1/2	19-7/16	11	15
195	195	ADSG-195	MDSG-195	14-11/16	21-1/16	12	16
210	210	ADSG-210	MDSG-210	15-13/16	22-3/4	13	17
225	225	ADSG-225	MDSG-225	16-15/16	24-3/8	14	18
245	245	ADSG-245	MDSG-245	18-1/2	26-9/16	15	19
270	270	ADSG-270	MDSG-270	20-5/8	29-9/16	16	20
300	300	ADSG-300	MDSG-300	22-15/16	32-13/16	18	22
330	330	ADSG-330	MDSG-330	25-1/4	36-1/8	22	26
365	365	ADSG-365	MDSG-365	27-7/8	39-15/16	24	28
402	402	ADSG-402	MDSG-402	30-3/4	44-1/16	26	30
445	445	ADSG-445	MDSG-445	34	48-11/16	32	36
490	490	ADSG-490	MDSG-490	37-7/16	53-5/8	37	45
-	540	ADSG-540	MDSG-540	41-1/4	59-1/16	42	50
-	600	ADSG-600	MDSG-600	45-13/16	65-5/8	50	58
-	660	ADSG-660	MDSG-660	50-7/16	72-3/16	56	64
-	730	ADSG-730	MDSG-730	55-3/4	79-7/8	70	78

ALL DIMENSIONS IN INCHES. WEIGHTS IN LBS.

- NOTES: 1) MAXIMUM VELOCITY = 3500 FPM. MOTOR OPERATED DAMPERS REQUIRED FOR VELOCITIES BELOW 600 FPM.  
 2) SIZE 490 AND LARGER REQUIRE 2 MOTORS.  
 3) SIZE 402 AND LARGER EACH 460 VOLT MOTOR PACK IS SUPPLIED WITH A TRANSFORMER.

X0251R04