



COOK

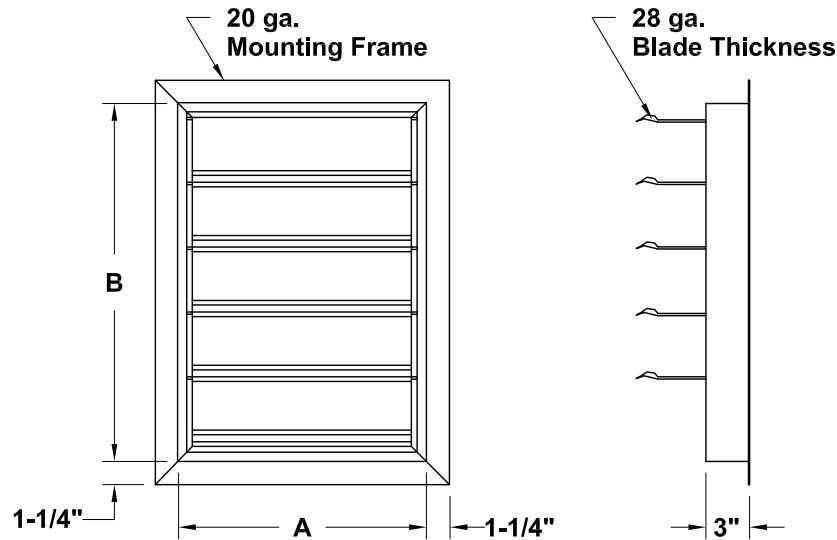
Discharge Shutter

DATE: _____

PROJECT: _____

LOCATION: _____

Accessory Data Sheet
Galvanized Construction
IMH



STANDARD CONSTRUCTION FEATURES:

Galvanized steel blades and frame - Stainless steel pivots - Vinyl blade edge seals.

DIMENSION DATA

| Size | Shutter Model Number | A | B | Ship Wt. |
|------|----------------------|---------|----------|----------|
| 70 | ADSG-70MH | 6 | 6-5/8 | 5 |
| 90 | ADSG-90MH | 7-1/2 | 8-7/16 | 5 |
| 110 | ADSG-110MH | 9-1/8 | 10-3/8 | 6 |
| 130 | ADSG-130MH | 10-7/8 | 12-3/16 | 7 |
| 150 | ADSG-150MH | 12-9/16 | 14-1/16 | 8 |
| 170 | ADSG-170MH | 14-1/4 | 16 | 10 |
| 190 | ADSG-190MH | 15-7/8 | 17-13/16 | 11 |
| 210 | ADSG-210MH | 17-9/16 | 19-3/4 | 12 |
| 230 | ADSG-230MH | 19-1/4 | 21-5/8 | 14 |
| 260 | ADSG-260MH | 21-3/4 | 24-7/16 | 16 |
| 290 | ADSG-290MH | 24-1/4 | 27-5/16 | 18 |

ALL DIMENSIONS IN INCHES. WEIGHTS IN LBS.

NOTES: FOR CLEAN AIR APPLICATIONS ONLY.

MAXIMUM VELOCITY 3000 FPM. MOTOR OPERATED DAMPERS REQUIRED FOR VELOCITIES BELOW 600 FPM.

X0253R03