



COOK

Motorized Damper

DATE: _____

PROJECT: _____

LOCATION: _____

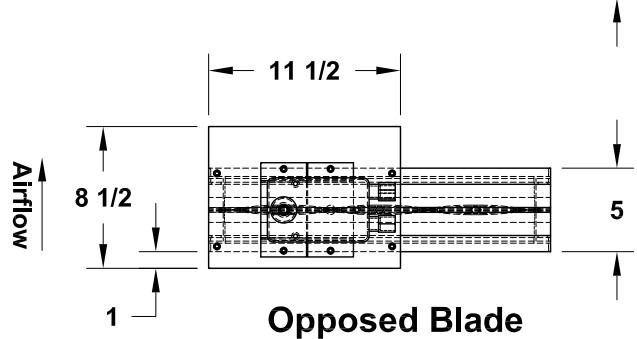
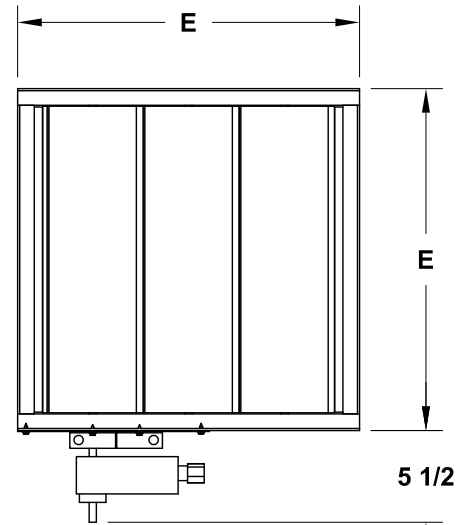
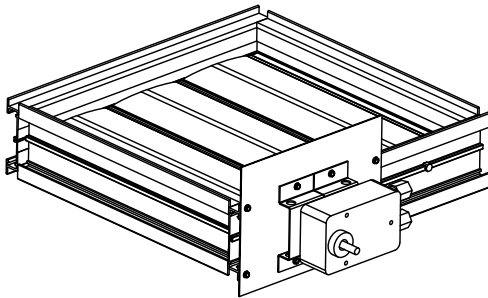
Accessory Data Sheet Motorized Backdraft Damper Low Leakage Class 1A Rated Aluminum

STANDARD CONSTRUCTION FEATURES:

- Frame: 5" x 1" x 6063T5 extruded hat channel with .125" minimum wall thickness
- Blades: 6" wide, 6063T5 heavy gauge extruded aluminum, airfoil shape. Opposed blade standard.
- Seals: Synthetic polymer blade edge seals and flexible metal compressible jamb seals.
- Bearings: Molded synthetic.
- Linkage: Concealed in frame.
- Axles: 1/2" plated steel hex.
- Temperature Limits: -72°F and +275°F.
- Actuator in Airstream, available in 24v, 115v (230v and 460v with transformer). Power Open/Spring Close

OPTIONAL CONSTRUCTION FEATURES:

- Enamel and epoxy finishes.
- End Switch Package to remotely indicate damper blade position.
- 16 gauge galvanized steel hat channel frame.
- Face and bypass configurations.



DIMENSION DATA

Qty	Mark	SQN	Cat. No.	E Sq.	Unit Wt.
		60-100	BDMCLA-12	11-3/4	17
		120	BDMCLA-16	15-3/4	20
		135	BDMCLA-18	17-3/4	24
		150	BDMCLA-20	19-3/4	28
		165	BDMCLA-22	21-3/4	32
		180	BDMCLA-24	23-3/4	38
		195	BDMCLA-26	25-3/4	43
		210	BDMCLA-28	27-3/4	49
		225	BDMCLA-30	29-3/4	56
		245	BDMCLA-33	32-3/4	65
		270	BDMCLA-36	35-3/4	84
		300	BDMCLA-40	39-3/4	92
		330	BDMCLA-44	43-3/4	111
		365	BDMCLA-46	45-3/4	117
		402	BDMCLA-50	49-3/4	141

ALL DIMENSIONS IN INCHES. WEIGHTS IN LBS.

X0259R00