



COOK

Motorized Damper

DATE: _____

PROJECT: _____

LOCATION: _____

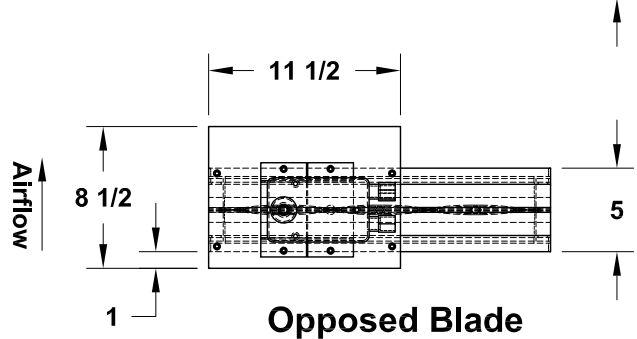
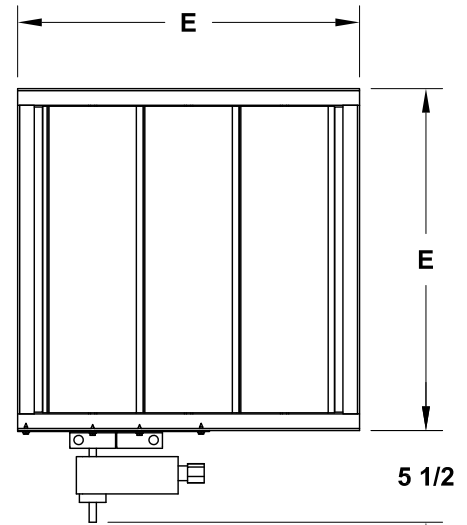
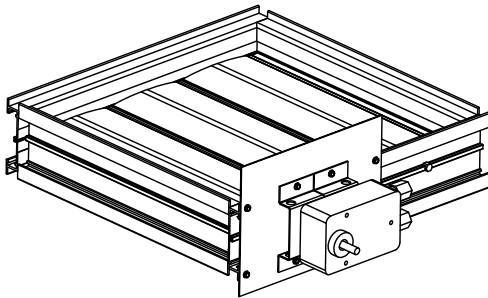
Accessory Data Sheet Motorized Backdraft Damper Low Leakage Class 1A Rated Galvanized Steel

STANDARD CONSTRUCTION FEATURES:

- Frame: 5" x 1" x 16 gauge hot dipped galvanized steel hat channel reinforced with corner braces.
- Blades: 6" wide, galvanized steel one piece airfoil shape, construction of 14 gauge equivalent thickness. Opposed blade standard.
- Seals: Neoprene blade edge seals mechanically fastened to blades.
- Bearings: Oil impregnated self lubricating, stainless steel sleeve.
- Linkage: Concealed outside airstream.
- Axles: 1/2" plated steel hex.
- Temperature Limits: -72°F and +275°F.
- Actuator in Airstream, available in 24v, 115v (230v and 460v with transformer). Power Open/Spring Close.

OPTIONAL CONSTRUCTION FEATURES:

- Enamel and epoxy finishes.
- End Switch Package to remotely indicate damper blade position.
- Face and bypass configurations.



DIMENSION DATA

Qty	Mark	SQN	Cat. No.	E Sq.	Unit Wt.
		60-100	BDMCL-12	11-3/4	17
		120	BDMCL-16	15-3/4	20
		135	BDMCL-18	17-3/4	24
		150	BDMCL-20	19-3/4	28
		165	BDMCL-22	21-3/4	32
		180	BDMCL-24	23-3/4	38
		195	BDMCL-26	25-3/4	43
		210	BDMCL-28	27-3/4	49
		225	BDMCL-30	29-3/4	56
		245	BDMCL-33	32-3/4	65
		270	BDMCL-36	35-3/4	84
		300	BDMCL-40	39-3/4	92
		330	BDMCL-44	43-3/4	111
		365	BDMCL-46	45-3/4	117
		402	BDMCL-50	49-3/4	141

ALL DIMENSIONS IN INCHES. WEIGHTS IN LBS.

X0260R00