



COOK

Volume Control Damper

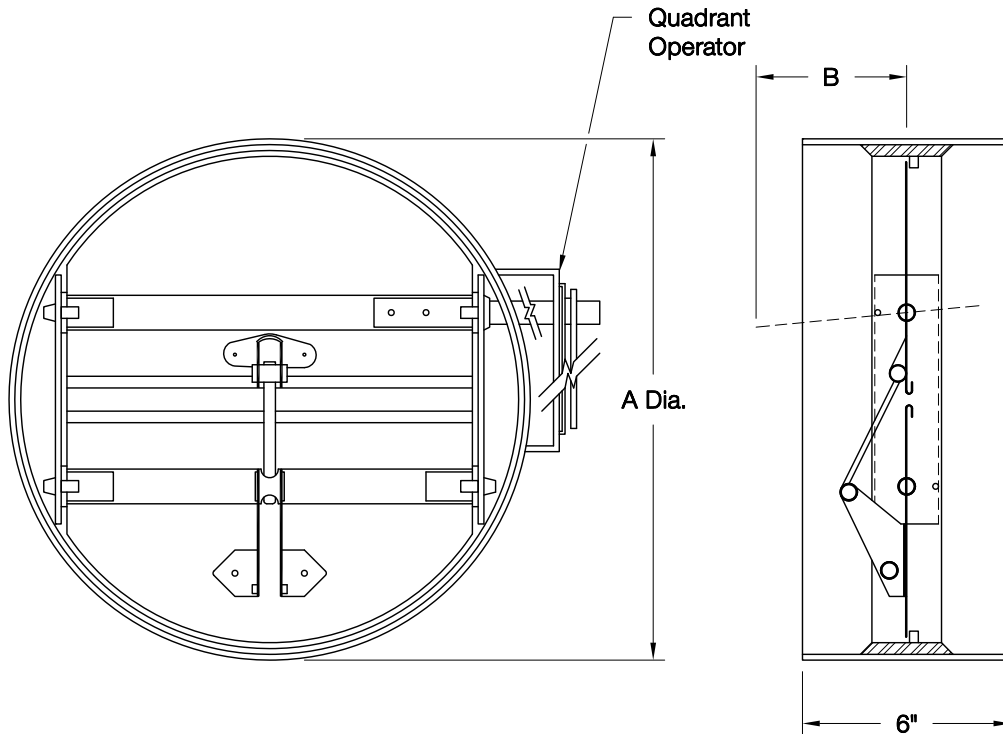
DATE: _____

Accessory Data Sheet

PROJECT: _____

CV

LOCATION: _____



DIMENSION DATA

CV Size	VCD Cat. No.	A Dia.	B Open Height	Ship Wt.
80	8	8	1-23/32	4
100	10	10	2	6
120	12	12	2-3/4	8
140	14	14	3-13/32	10
160	16	16	4-3/32	12
180	18	18	4-3/16	14
200	20	20	4-9/16	16
240	24	24	5-27/32	20
280	28	28	7-9/32	25
320	32	32	8-1/8	27
360	36	36	9-5/8	30

ALL DIMENSIONS IN INCHES. WEIGHTS IN LBS.

NOTE: MAXIMUM VELOCITY = 2000 FPM