



COOK

INLET VANE DAMPER

DATE: _____

PROJECT: _____

LOCATION: _____

Accessory Data Sheet

External

CPS, CPA, ,CPV

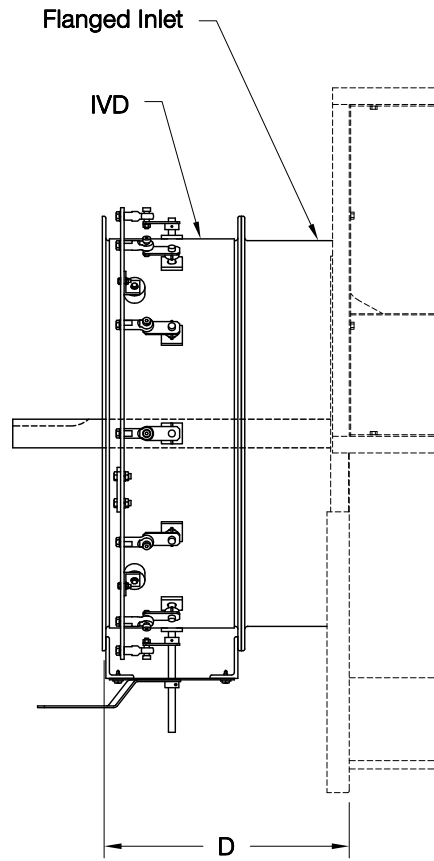
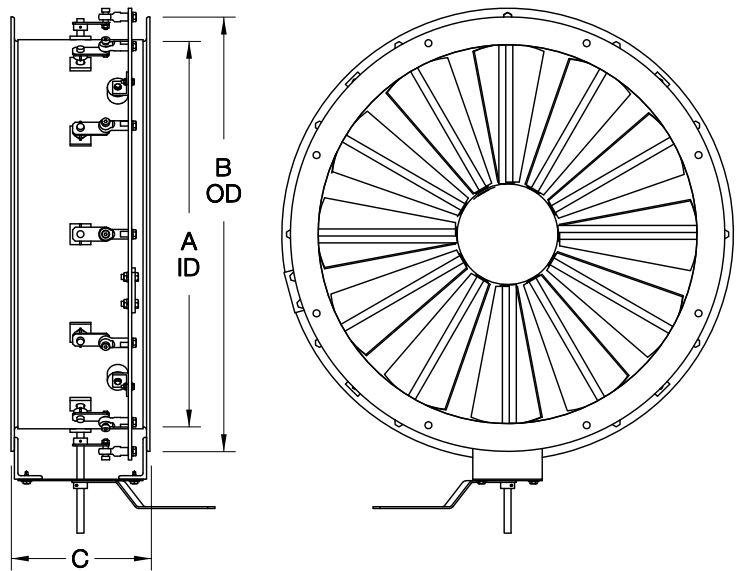
CPA-A, CPS-A

Aluminum Construction

DIMENSION DATA

Size	A	B	C	D	Ship Wt.
120	12-7/8	15-7/8	10	16	20
135	14-3/8	17-3/8	10	16	23
150	15-7/8	18-7/8	10	16	26
165	17-3/8	20-3/8	10	16-1/4	30
180	18-7/8	21-7/8	10	16-1/4	33
195	20	23	10	16-3/4	36
210	21-3/4	24-3/4	10	16-3/4	39
225	23-1/4	26-1/4	10	16-3/4	42
245	25-1/4	28-1/4	10	16-3/4	47
270	27-1/4	31-1/4	10	16-1/2	54
300	30-1/4	34-1/4	10	16-1/2	62
330	33-1/4	37-1/4	10	16-1/2	70
365	36-3/4	40-3/4	10	16-1/2	79
402	40-1/2	44-1/2	11	17-1/2	89
445	44-3/4	48-3/4	11	17-1/2	100
490	50-1/4	54-1/4	11	18	112

ALL DIMENSIONS IN INCHES. WEIGHTS IN LBS.



X0406R01