



DATE: _____

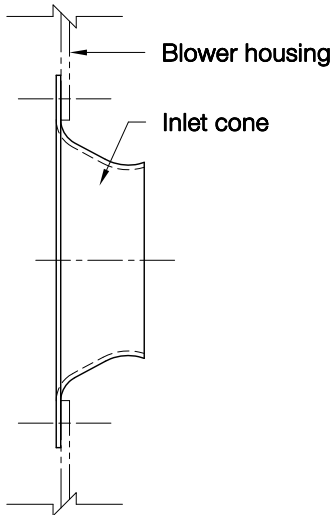
PROJECT: _____

LOCATION: _____

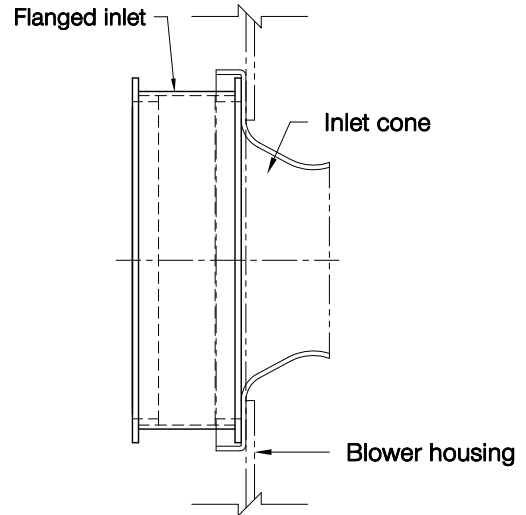
Accessory Data Sheet

Typical Blower Inlet Connections

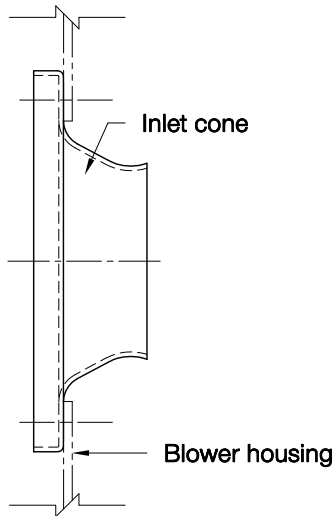
CA, CF, CIC, CP, CPL



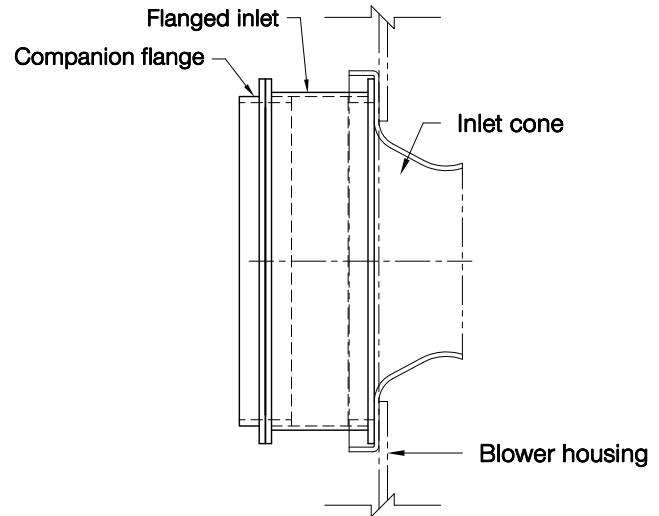
INLET WITHOUT COLLAR
Standard on Arr. 3 (CA,CF,CPL)



FLANGED INLET



INLET WITH COLLAR
Standard on all CP's and CIC's
Standard on CA Arr. 1,2,9,10
Standard on CF Arr. 1,2,9,10



**FLANGED INLET
WITH COMPANION FLANGE**