



# COOK

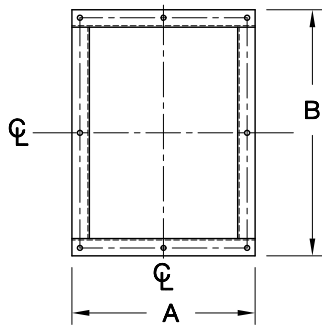
# Outlet Companion Flange

DATE: \_\_\_\_\_

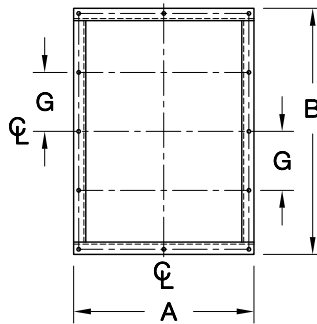
PROJECT: \_\_\_\_\_

LOCATION: \_\_\_\_\_

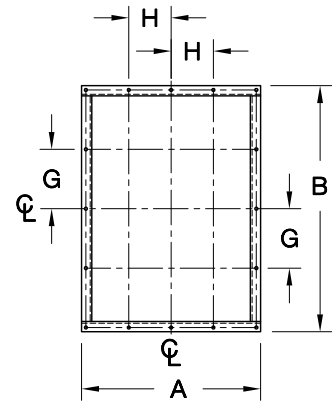
Accessory Data Sheet  
 CPFB, CPA, CPS, CPV  
 CPA-A, CPS-A



Size 135-195



Size 210-270

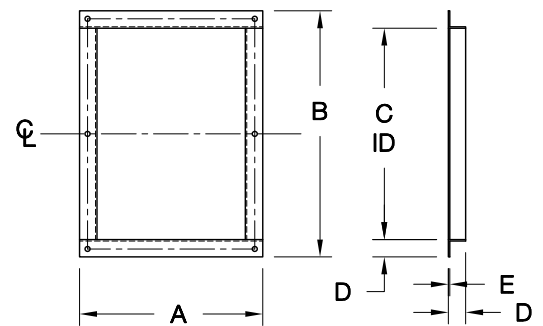


Size 300-490

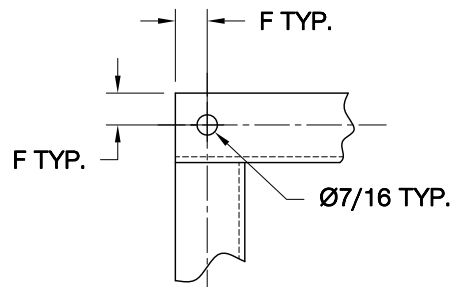
**DIMENSION DATA**

Size	CP Units								Ship Wt.	
	A	B	C	D	E	F	G	H	Steel	Alum.
100	10-3/4	14-1/16	11-1/16	1-1/2	1/8	11/16	-	-	5	2
120	12-3/8	16-5/16	13-5/16	1-1/2	1/8	11/16	-	-	6	2
135	13-1/2	17-15/16	14-15/16	1-1/2	1/8	11/16	-	-	7	2
150	14-5/8	19-5/8	16-5/8	1-1/2	1/8	11/16	-	-	8	3
165	15-13/16	21-1/4	18-1/4	1-1/2	1/8	11/16	-	-	8	3
180	16-15/16	22-7/8	19-7/8	1-1/2	1/8	11/16	-	-	9	3
195	18-3/16	24-1/2	21-1/2	1-1/2	1/8	11/16	-	-	10	3
210	19-5/16	26-3/16	23-3/16	1-1/2	1/8	11/16	6-3/16	-	10	4
225	20-7/16	27-13/16	24-13/16	1-1/2	1/8	11/16	6-5/8	-	11	4
245	23	31	27	2	1/8	5/8	7-3/16	-	14	5
270	24-7/8	33-3/4	29-3/4	2	1/8	5/8	7-7/8	-	15	5
300	27-3/16	37	33	2	1/8	5/8	8-11/16	6-3/16	16	6
330	29-7/16	40-5/16	36-5/16	2	1/8	7/8	9-1/2	6-3/4	18	7
365	32-1/16	44-3/16	40-3/16	2	1/8	7/8	10-7/16	7-7/16	20	7
402	34-15/16	48-5/16	44-5/16	2	1/8	7/8	11-1/2	8-1/8	22	8
445	38-3/16	52-15/16	48-15/16	2	1/8	7/8	12-5/8	8-15/16	24	9
490	41-5/8	57-7/8	53-7/8	2	1/8	7/8	13-7/8	9-13/16	26	9

ALL DIMENSIONS IN INCHES. WEIGHTS IN LBS.



Size 100-120



HOLE PATTERN  
 DETAIL