



**COOK**

# Flanged Inlet

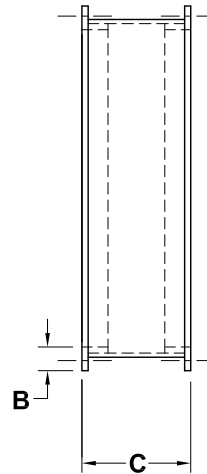
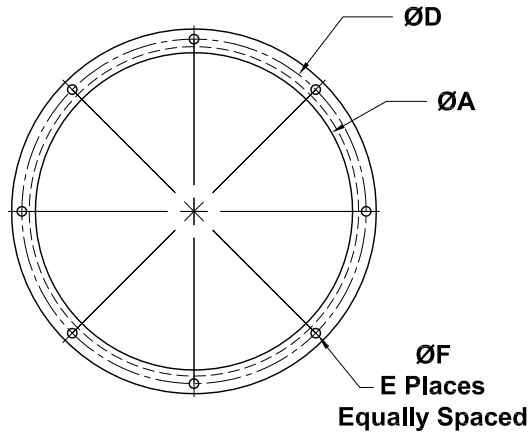
DATE: \_\_\_\_\_

Accessory Data Sheet

PROJECT: \_\_\_\_\_

Blowers

LOCATION: \_\_\_\_\_



**FLANGED INLET**

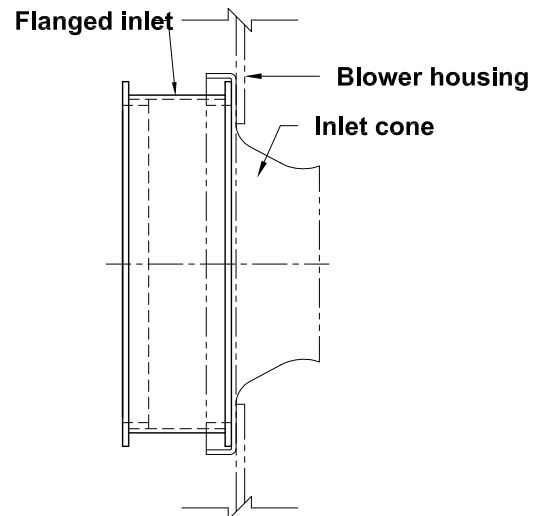
**DIMENSION DATA**

Size	A	B	C	D	E		F	Shipping Wt.	
					Std.	UL762**		Steel	Alum.
60	10-5/8	1-1/2	6	12-1/2	8	10	1/2	14	5
70	10-5/8	1-1/2	6	12-1/2	8	10	1/2	14	5
80	10-5/8	1-1/2	6	12-1/2	8	10	1/2	14	5
100	10-5/8	1-1/2	6	12-1/2	8	10	1/2	14	5
120	12-5/8	1-1/2	6	14-1/2	8	12	1/2	17	5
135	14-1/8	1-1/2	6	16	8	14	1/2	19	8
150	15-5/8	1-1/2	6	17-1/2	8	14	1/2	22	8
165	17	2	6-1/4	19	8	16	1/2	26	11
180	18-1/2	2	6-1/4	20-1/2	8	16	1/2	29	11
195	19-3/4	2	6-3/4	22	8	18	1/2	32	11
210	21-1/2	2	6-3/4	23-3/4	8	20	1/2	35	12
220	23	2	6-3/4	25-1/4	8	20	1/2	37	13
225	23	2	6-3/4	25-1/4	8	20	1/2	37	13
245	25	2	6-3/4	27-1/4	8	22	1/2	40	15
250	25	2	6-3/4	27-1/4	8	22	1/2	40	15
270	27-1/4	2	6-1/2	29-3/4	8	24	1/2	65	23
300	30-1/4	2	6-1/2	32-3/4	8	26	1/2	72	26
330	33-1/4	2	6-1/2	35-3/4	12*	30	5/8	79	28
365	36-3/4	2	6-1/2	39-1/4	12*	32	5/8	87	31
402	40-1/2	2	6-1/2	43	12*	34	5/8	96	34
445	44-3/4	2	6-1/2	47-1/4	12*	38	5/8	106	37
490	50-1/4	2	7	52-3/4	12*	42	5/8	123	44
540	55-1/4	2	8	57-3/4	12	46	5/8	184	63
600	61-1/4	2	8	63-3/4	12	52	5/8	203	70
660	67-1/4	2	8	69-3/4	12	56	5/8	223	76
730	74-1/4	2	9	76-3/4	12	62	5/8	255	87

ALL DIMENSIONS IN INCHES. WEIGHTS IN LBS.

\* CP UNITS SIZE 330-490 USE 8 HOLES.

\*\* COMPLIES WITH NFPA 96, 4" MAX. HOLE SPACING



**FLANGED INLET**