



# COOK

# Outlet Companion Flange

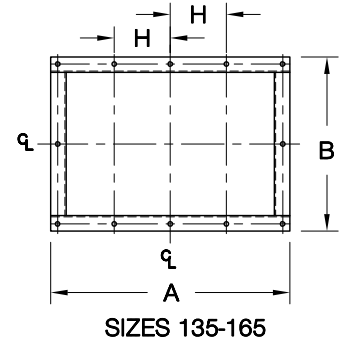
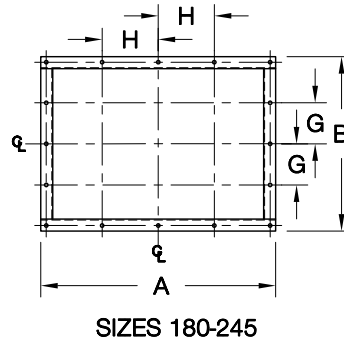
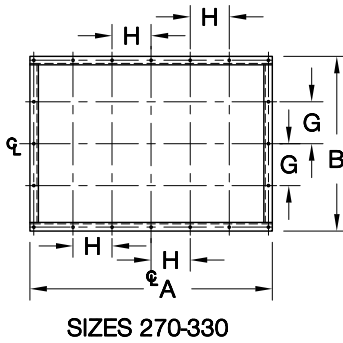
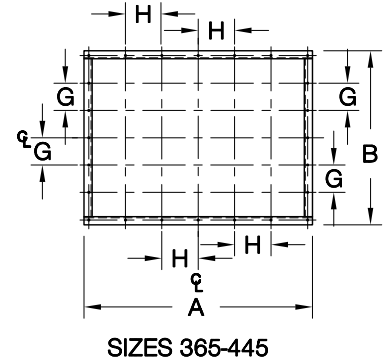
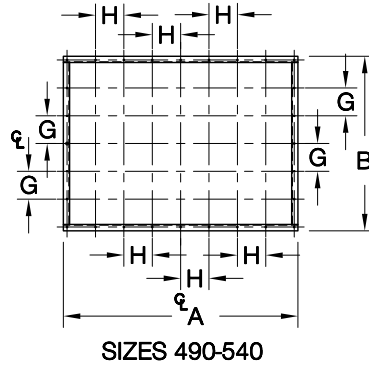
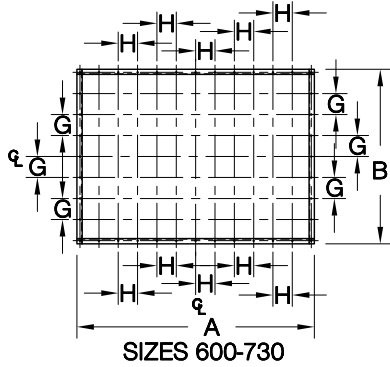
DATE: \_\_\_\_\_

PROJECT: \_\_\_\_\_

LOCATION: \_\_\_\_\_

Accessory Data Sheet

CA DWI



**DIMENSION DATA**

Size	CA DWI								Ship Wt.
	A	B	C	D	E	F	G	H	
120	21-1/16	15-1/2	12-1/2	1-1/2	1/8	11/16	-	-	8
135	23-5/16	17	14	1-1/2	1/8	11/16	-	5-1/2	9
150	25-3/8	18-5/8	15-5/8	1-1/2	1/8	11/16	-	6	10
165	27-3/8	20-5/16	17-5/16	1-1/2	1/8	11/16	-	6-1/2	11
180	29-7/16	21-7/8	18-7/8	1-1/2	1/8	11/16	5-1/8	7	12
195	31-13/16	22-7/8	19-7/8	1-1/2	1/4	11/16	5-3/8	7-5/8	13
210	33-3/4	25	22	1-1/2	1/4	11/16	5-15/16	8-1/8	14
225	35-7/8	26-9/16	23-9/16	1-1/2	1/4	11/16	6-5/16	8-5/8	15
245	38-7/16	28-7/8	25-7/8	1-1/2	1/4	11/16	6-7/8	9-1/4	16
270	42-13/16	30-7/8	27-7/8	1-1/2	1/4	11/16	7-3/8	6-15/16	18
300	46-7/16	34-5/8	31-5/8	1-1/2	1/4	11/16	8-5/16	7-1/2	19
330	51-1/2	38-15/16	34-15/16	2	1/4	1-3/16	9-1/8	8-3/16	25
365	56-5/8	43-1/8	39-1/8	2	1/4	1-3/16	6-13/16	9-1/16	27
402	62-1/4	46-3/16	42-3/16	2	1/4	1-3/16	7-5/16	10	30
445	68-11/16	50-3/8	46-3/8	2	1/4	1-3/16	8	8-5/16	33
490	74-9/16	55-7/16	51-7/16	2	1/4	1-3/16	8-7/8	9	36
540	82 3/8	60-3/16	56-3/16	2	1/4	1-3/16	9-5/8	10	40
600	90-11/16	66-5/8	62-5/8	2	1/4	1-3/16	8 1/16	7-3/8	44
660	99-5/16	72-7/8	68-7/8	2	1/4	1-3/16	8-13/16	8-1/16	48
730	109 3/16	80-1/4	76-1/4	2	1/4	1-3/16	9-3/4	8-7/8	53

ALL DIMENSIONS IN INCHES. WEIGHTS IN LBS.

