

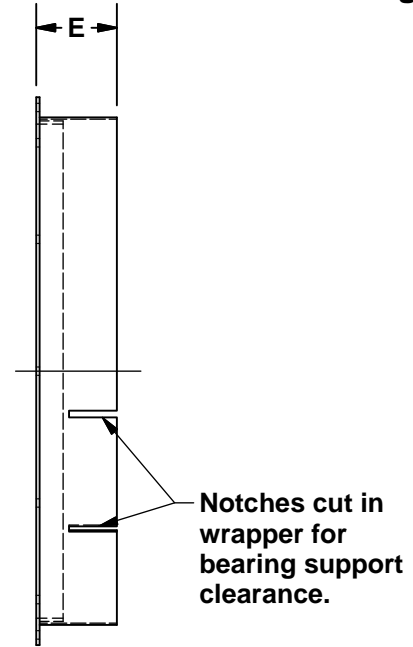
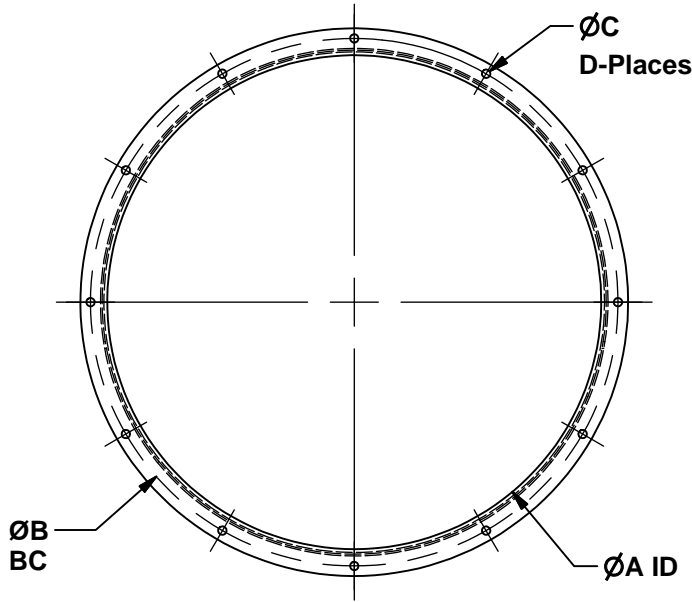


# COOK

# Flanged Inlet

DATE: \_\_\_\_\_  
 PROJECT: \_\_\_\_\_  
 LOCATION: \_\_\_\_\_

Accessory Data Sheet  
 Centrifugal Plenum Fan  
 Arrangement 3



### DIMENSION DATA

Size	A	B	C	D	E
120	12 5/8	14 1/2	1/2	8	5 3/4
135	14 1/8	16	1/2	8	5 3/4
150	15 5/8	17 1/2	1/2	8	5 3/4
165	17	19	1/2	8	5 7/8
180	18 1/2	20 1/2	1/2	8	5 7/8
195	19 3/4	22	1/2	8	6 3/8
210	21 1/2	23 3/4	1/2	8	6 3/8
225	23	25 1/4	1/2	8	6 3/8
245	25	27 1/4	1/2	8	6 3/8
270	27 1/4	29 3/4	1/2	8	6 1/8
300	30 1/4	32 3/4	1/2	8	6 1/8
330	33 1/4	35 3/4	5/8	12	6 1/8
365	36 3/4	39 1/4	5/8	12	6 1/8
402	40 1/2	43	5/8	12	6 1/8
445	44 3/4	47 1/4	5/8	12	6 3/8
490	50 1/4	52 3/4	5/8	12	7 7/8
540	55 1/4	57 3/4	5/8	12	8
600	61 1/4	63 3/4	5/8	12	8 1/2
660	67 1/4	69 3/4	5/8	12	9 1/2
730	74 1/4	76 3/4	5/8	12	9 1/2

ALL DIMENSIONS IN INCHES.

