

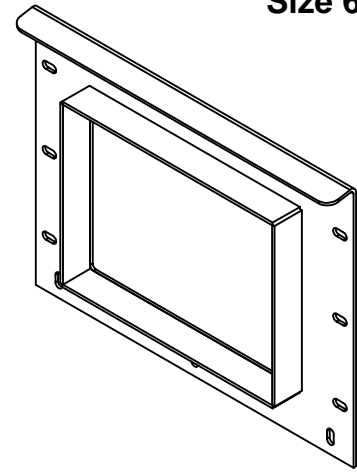
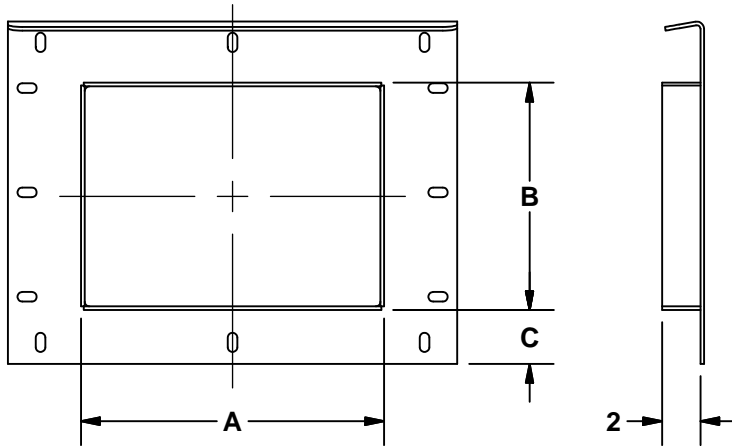


COOK

Side Intake Panel

DATE: _____
 PROJECT: _____
 LOCATION: _____

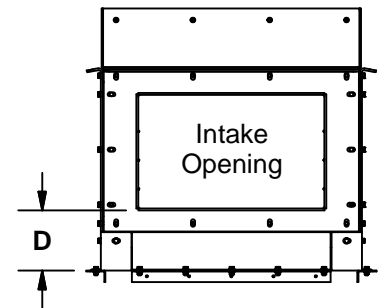
Accessory Data Sheet
Tubular Centrifugal Inline
TCNHBLE
Roof Mounted
Mixing Box
Intake Panel
Size 60-490



DIMENSION DATA

Size	A	B	C	D	Material	Weight
60-100	15 7/8	11 7/8	2 13/16	7 7/8	Alum.	8
120	19 7/8	12 7/8	2 13/16	7 7/8	Alum.	9
135	20 3/4	13 1/8	2 3/4	7 13/16	Alum.	12
150	22 3/4	13 7/8	2 3/4	7 13/16	Alum.	13
165	24 3/4	15 3/8	2 3/4	7 13/16	Alum.	14
180	28 3/4	16 3/8	2 3/4	7 13/16	Alum.	16
195	32 3/4	17 1/8	2 3/4	7 13/16	Alum.	18
210	32 3/4	13 7/8	3 3/4	8 13/16	Alum.	20
225	36 3/4	14 5/8	3 3/4	8 13/16	Alum.	22
245	38 3/4	16 7/8	3 3/4	8 13/16	Alum.	22
270	42 3/4	16 7/8	3 3/4	8 13/16	Alum.	25
300	48 3/4	17 5/8	3 3/4	8 13/16	Alum.	27
330	50 15/16	20 15/16	3 7/8	8 15/16	Stl.	35
365	48 15/16	19 11/16	5 7/8	10 15/16	Stl.	46
402	55 15/16	21 15/16	5 7/8	10 15/16	Stl.	52
445	56 7/8	24 3/4	7 7/8	12 7/8	Stl.	87
490	63 7/8	30 7/8	7 13/16	12 7/8	Stl.	132
330*	51 1/4	21 1/4	3 3/4	8 15/16	Alum.	31
365*	49 1/4	20	5 3/4	10 15/16	Alum.	40
402*	56 1/4	22 1/4	5 3/4	10 15/16	Alum.	45
445*	57 1/8	25	7 3/4	12 7/8	Alum.	61
490*	64	31	7 3/4	12 7/8	Alum.	75

ALL DIMENSIONS IN INCHES. WEIGHTS IN LBS.
 *OPTIONAL ALUMINUM SIDE INTAKE PANELS.



Mounted Panel Detail

Centered on each mixing box. For multiple mixing box units, see multiple mixing box submittal for dimension between boxes. Mixing boxes with side intake panels have a bottom plate installed on the mixing box floor.