

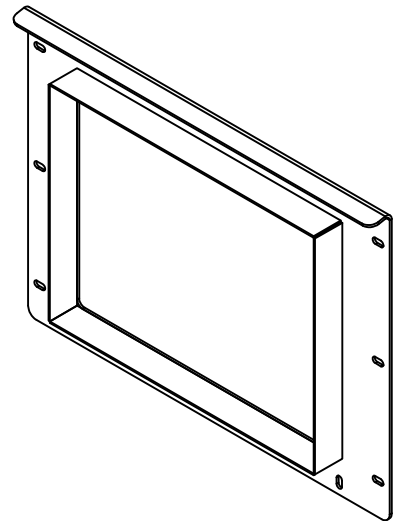
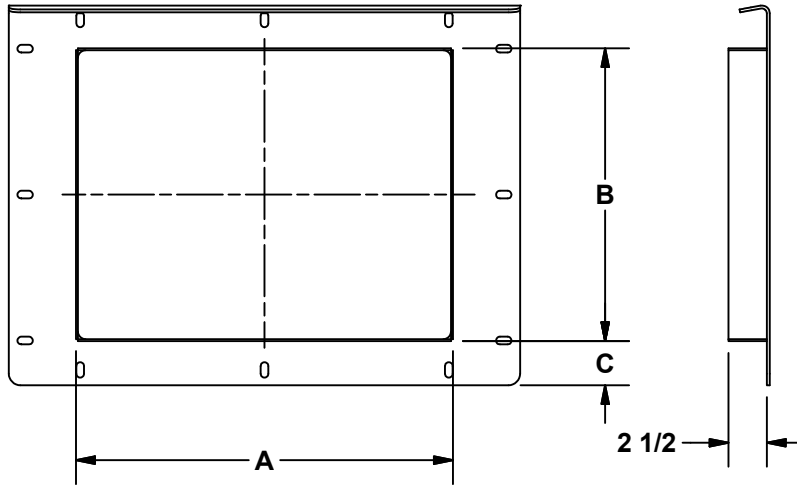


COOK

Side Intake Panel

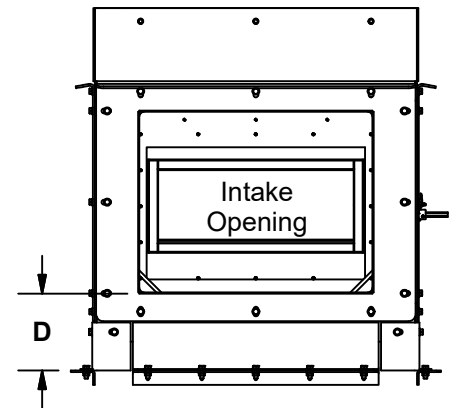
DATE: _____
 PROJECT: _____
 LOCATION: _____

Accessory Data Sheet
Mixed Flow Inline
QMX Lab Exhauster Units
with Mixing Box
Size 90-600



DIMENSION DATA

Size	A	B	C	D	Material	Weight
90	19 3/4	10 9/16	2 7/8	8	Alum.	8
120	19 3/4	12 13/16	2 7/8	8	Alum.	8
135	18 9/16	14 13/16	2 7/8	8	Alum.	11
150	20 9/16	16 9/16	2 7/8	8	Alum.	12
165	22 9/16	18 5/16	2 7/8	8	Alum.	13
180	24 9/16	19 1/16	2 7/8	8	Alum.	14
202	28 9/16	22 9/16	2 7/8	8	Alum.	16
225	30 9/16	22 9/16	3 7/8	9	Alum.	20
245	32 9/16	24 13/16	3 7/8	9	Alum.	21
270	36 9/16	26 9/16	3 7/8	9	Alum.	23
300	40 9/16	29 13/16	3 7/8	9	Alum.	25
330	44 1/2	33	3 7/8	9	Stl.	59
365	46 3/8	35	5 7/8	11	Stl.	84
402	50 5/16	41 1/4	5 7/8	11	Stl.	96
445	53 5/16	47	7 7/8	13	Stl.	132
490	59 1/8	57 1/4	7 7/8	13	Stl.	197
540	62 1/8	66	9 7/8	15	Stl.	263
600	69 1/8	81 1/2	10 7/8	16	Stl.	332
330*	44 9/16	33 1/16	3 7/8	9	Alum.	27
365*	46 7/16	35 1/16	5 7/8	11	Alum.	39
402*	50 3/8	41 5/16	5 7/8	11	Alum.	44
445*	53 3/8	47 1/16	7 7/8	13	Alum.	61
490*	59 3/16	57 5/16	7 7/8	13	Alum.	100
540*	62 3/16	66 1/16	9 7/8	15	Alum.	134
600*	69 3/16	81 9/16	10 7/8	16	Alum.	169



Mounted Panel Detail

Centered on each mixing box. For multiple mixing box units, see multiple mixing box submittal for dimension between boxes. Mixing boxes with side intake panels have a bottom plate installed on the mixing box floor.

ALL DIMENSIONS IN INCHES. WEIGHTS IN LBS.
 *OPTIONAL ALUMINUM SIDE INTAKE PANELS.