



COOK

Inlet/Outlet Guard

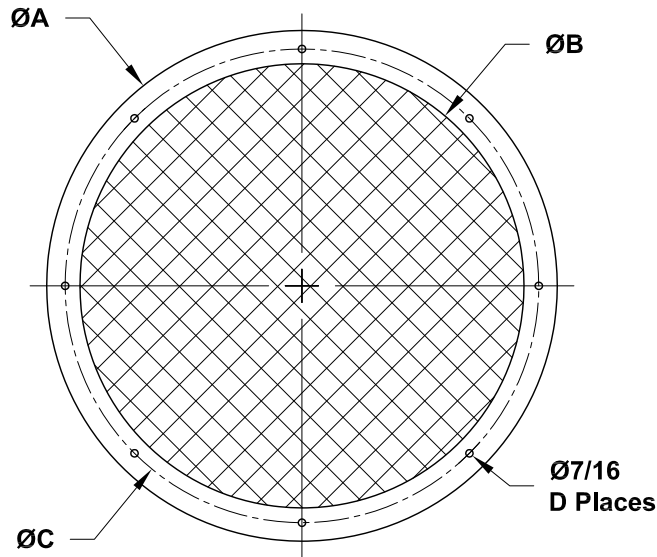
DATE: _____

PROJECT: _____

LOCATION: _____

Accessory Data Sheet

ADB,ADD,EDB,EDD



DIMENSION DATA

Size	A	B	C	D
12	15-1/2	12-1/2	14	4
16	19-1/2	16-1/2	18	4
20	23-1/2	20-1/2	22	4
24	27-1/2	24-1/2	26	4
30	33-5/8	30-5/8	32-1/8	4
36	39-5/8	36-5/8	38-1/8	4
42	45-5/8	42-5/8	44-1/8	8
48	52-5/8	48-5/8	50-5/8	8
54	58-5/8	54-5/8	56-5/8	8
60	64-5/8	60-5/8	62-5/8	8

ALL DIMENSIONS IN INCHES.

NOTES:

Screen: 1/2" X 16 ga. expanded metal

Frame: 3/16" flat bar