



COOK Inlet/Outlet Companion Flange

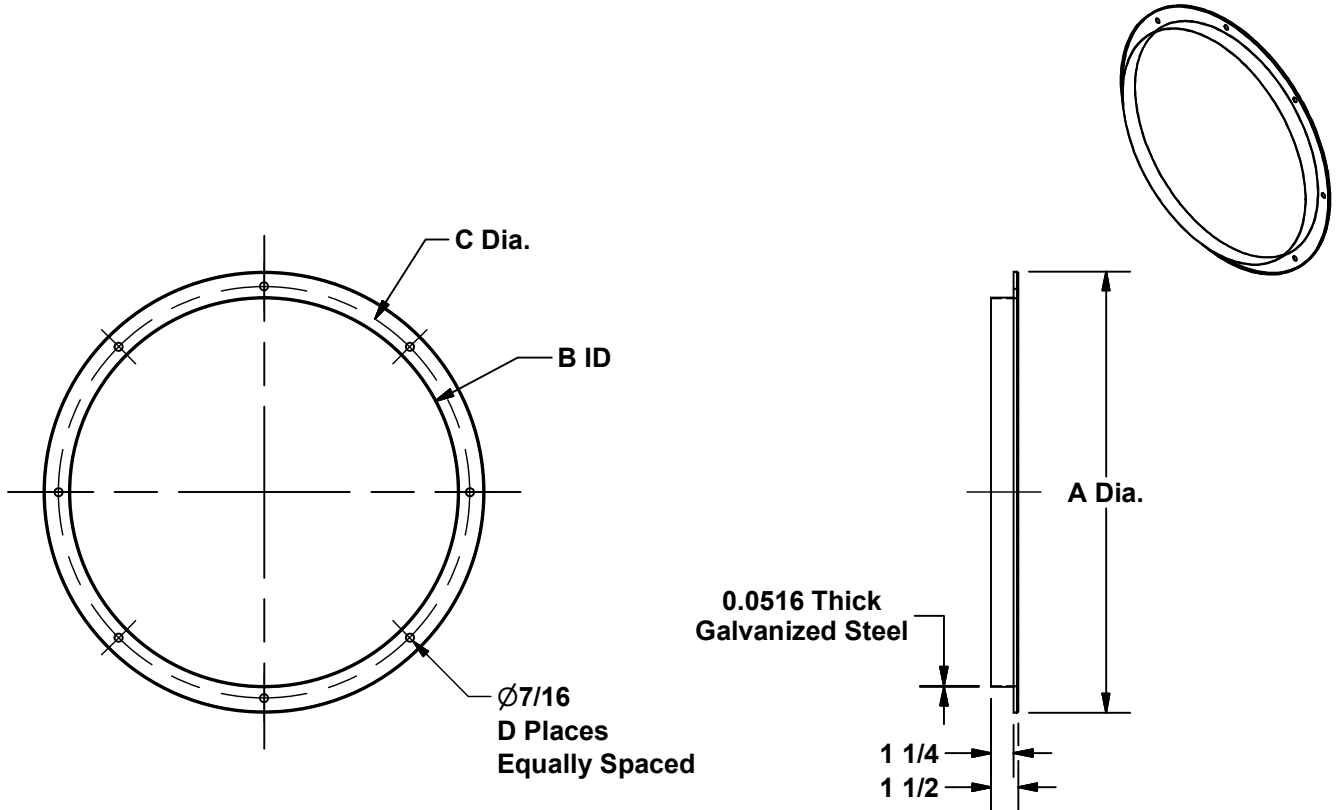
DATE: _____

PROJECT: _____

LOCATION: _____

Accessory Data Sheet

TMX



DIMENSION DATA

Size	A	B	C	D	Accessory Weight
90	16	13	14 3/8	8	2
120	20 3/16	17 3/16	18 9/16	8	3
135	22 3/8	19 3/8	20 3/4	8	3
150	24 1/2	21 1/2	22 7/8	8	3
165	26 5/8	23 5/8	25	8	4
180	28 3/4	25 3/4	27 1/8	8	4
202	31 7/8	28 7/8	30 1/4	8	4
225	35 1/16	32 1/16	33 7/16	8	5
245	37 7/8	34 7/8	36 1/4	16	5
270	41 7/16	38 7/16	39 13/16	16	6
300	45 5/8	42 5/8	44	16	6
330	49 7/8	46 7/8	48 1/4	16	7

ALL DIMENSIONS IN INCHES. WEIGHTS IN LBS.

X0578R00