



COOK

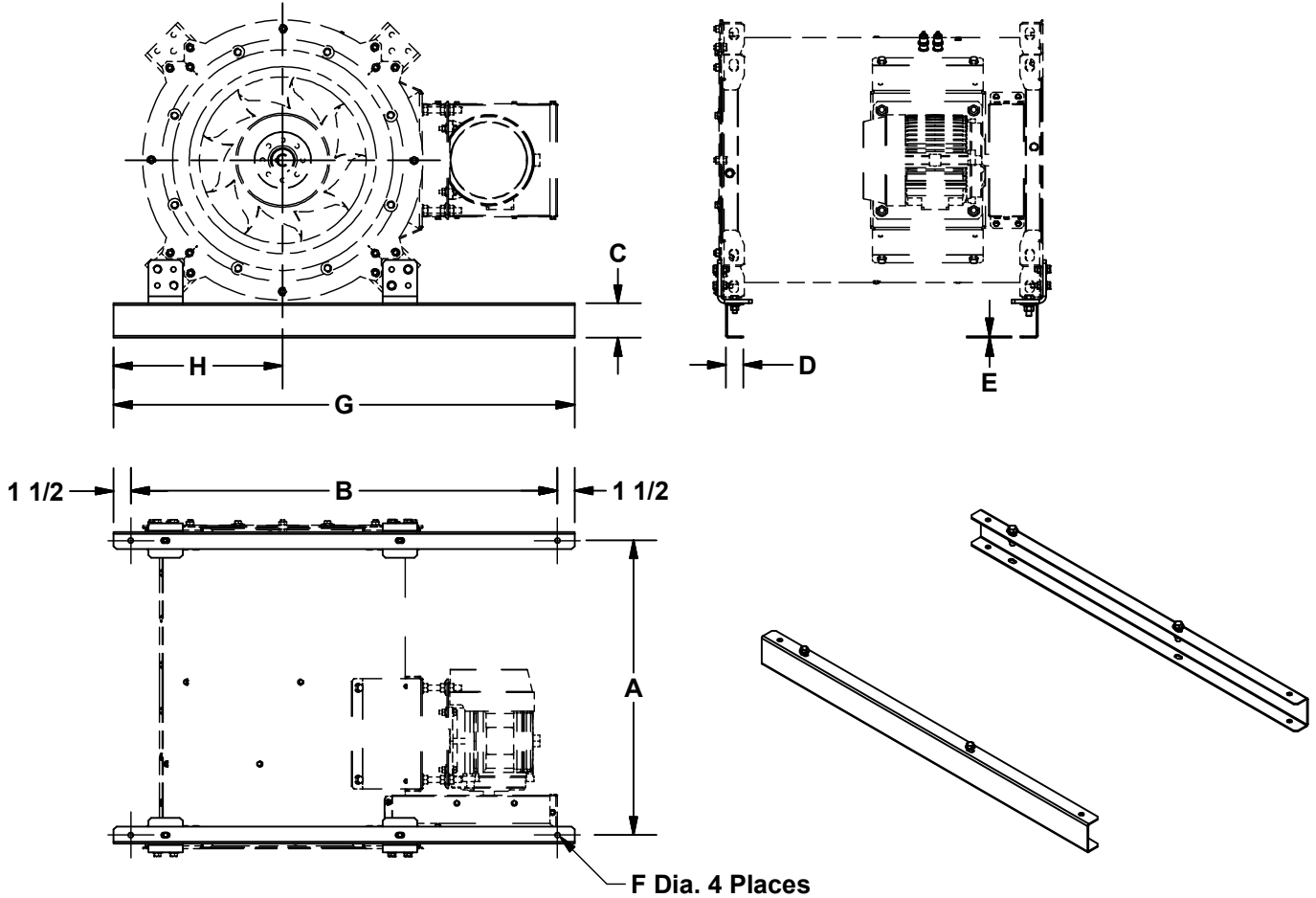
Isolation Rails

DATE: _____

PROJECT: _____

LOCATION: _____

**TMX Isolation Rails
Horizontal Mount
Arrangement 9**



DIMENSION DATA

Size	A	B	C	D	E	F	G	H	Accessory Weight (Set)
90	16 3/8	28 13/16	3	1 1/2	12 GA	7/16	31 13/16	11 5/8	11
120	22 9/16	34 1/2	3	1 1/2	12 GA	7/16	36 1/2	13 3/16	13
135	25 5/8	36 5/16	3	1 1/2	12 GA	7/16	38 5/16	14	13
150	25 5/8	38 1/8	3	1 1/2	12 GA	7/16	40 1/8	14 3/4	14
165	28 7/16	40	3	1 1/2	12 GA	7/16	42	15 9/16	15
180	31 1/4	42 13/16	3	1 1/2	10 GA	7/16	45 13/16	16 5/16	20
202	35 5/16	45 9/16	3	1 3/4	10 GA	7/16	48 9/16	17 7/16	23
225	39 5/8	48 3/8	3	1 3/4	10 GA	7/16	51 3/8	18 5/8	25
245	42 1/8	51 3/8	4	2	10 GA	7/16	56 3/8	20 5/16	34
270	46 9/16	54 5/8	4	2	10 GA	7/16	59 7/16	21 5/8	36
300	52	58 3/16	4	2	10 GA	7/16	63 1/16	23 1/16	38
330	57 7/16	63 15/16	4	2	10 GA	7/16	66 3/4	24 9/16	40

ALL DIMENSIONS IN INCHES. WEIGHTS IN LBS.

X0579R00