



COOK

Inlet Bell

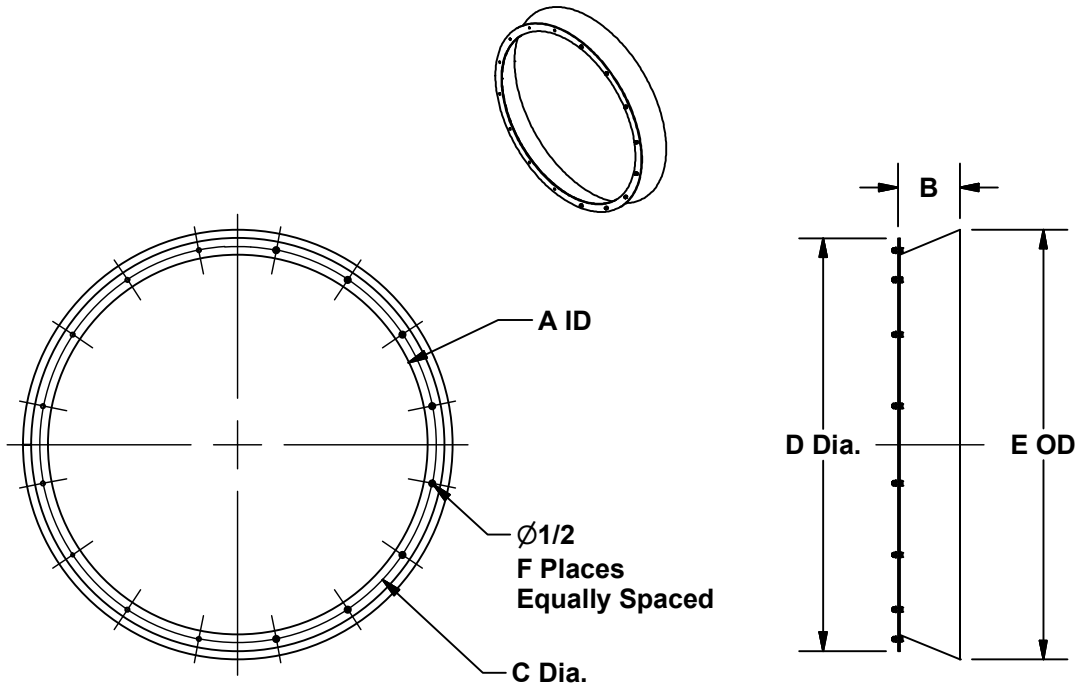
DATE: _____

Accessory Data Sheet

PROJECT: _____

AI

LOCATION: _____



STANDARD CONSTRUCTION FEATURES:

Aluminum welded construction - Lorenized finish

DIMENSION DATA

Size	A	B	C	D	E.	F	Accessory Weight
31	12 1/2	2 3/16	14 1/8	15 1/4	14 1/4	8	2
36	14 1/2	2 9/16	16 1/8	17 1/4	16 9/16	8	3
41	16 1/2	2 7/8	18 1/8	19 1/4	18 13/16	8	3
47	18 5/8	3 1/4	20 1/4	21 3/4	21 1/4	8	5
54	21 5/8	3 11/16	23 5/16	24 3/4	24 9/16	8	5
63	24 5/8	4 1/4	26 5/16	27 7/8	28 1/16	8	5
72	28 7/8	4 13/16	30 9/16	32 1/8	32 3/4	8	10
80	32 7/8	5 5/16	34 3/4	36 1/8	37 3/16	8	10
90	37	5 15/16	39 1/4	41 1/4	41 13/16	8	12
103	41 1/8	6 13/16	43 3/8	45 3/8	46 11/16	8	14
113	45 1/4	7 7/16	47 1/2	49 1/2	51 5/16	8	17
123	49 3/8	8 1/16	51 5/8	53 3/4	55 15/16	16	25
140	56	9 1/8	58 1/4	60 3/8	63 1/2	16	26
160	64 1/8	10 7/16	66 3/8	68 1/2	72 11/16	16	27

ALL DIMENSIONS IN INCHES. WEIGHTS IN LBS.

X0582R00