



COOK

MOTOR CONTROL COVER

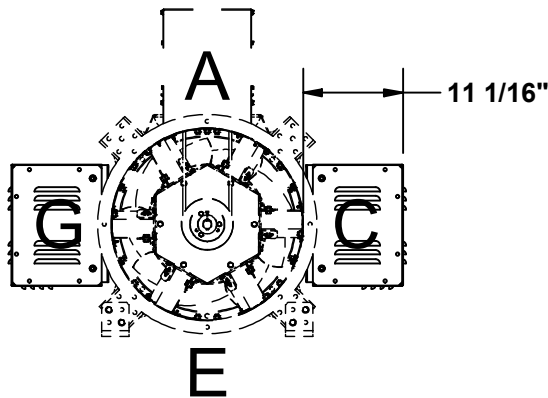
DATE: _____

Accessory Data Sheet

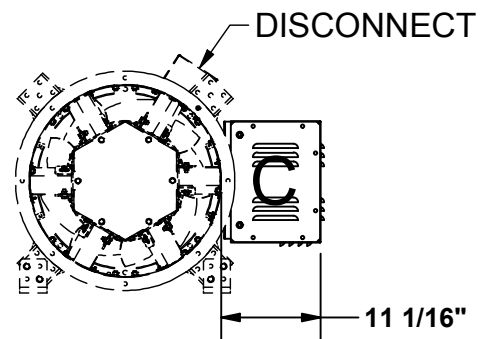
PROJECT: _____

TMX

LOCATION: _____



**Belt Drive
Arrangement 9**



**Direct Drive
Arrangement 4
(Sizes 150-245)**

| Arrangement 9 | |
|----------------|--------------|
| Motor Position | VFD Position |
| A | C |
| C | G |
| E | G |
| G | C |

STANDARD CONSTRUCTION FEATURES:

Galvanized Steel Construction