



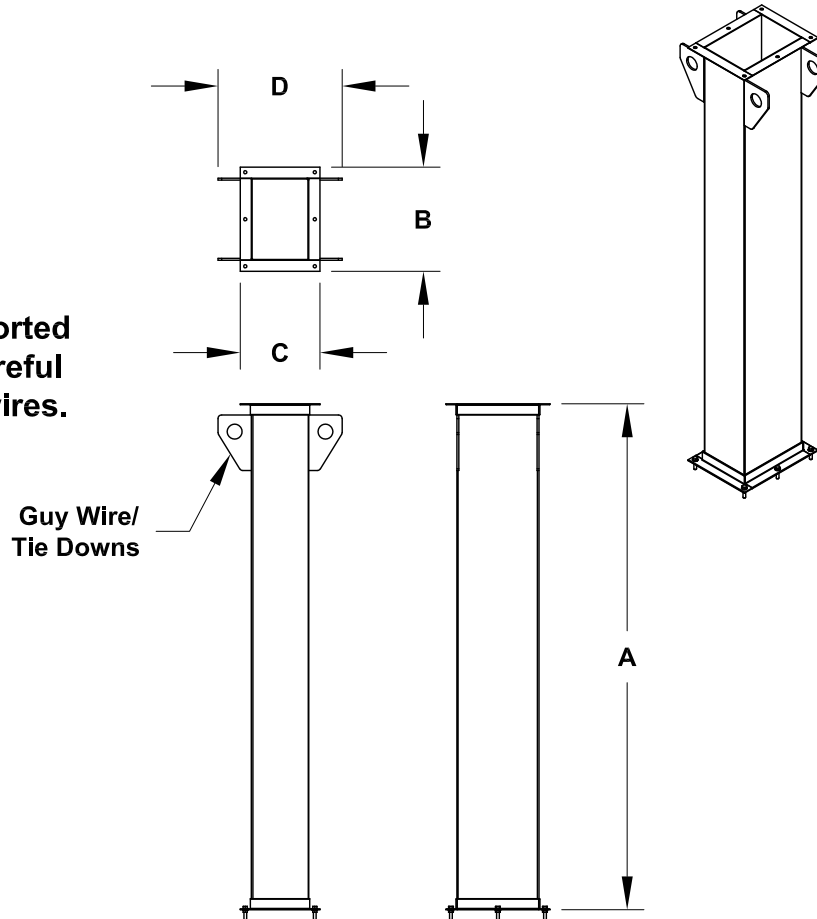
DATE: \_\_\_\_\_

PROJECT: \_\_\_\_\_

LOCATION: \_\_\_\_\_

## Accessory Data Sheet Stack Extension For 120" Unit Height

**Stack must be supported  
by guy wires. Be careful  
not to over tighten wires.**



### DIMENSION DATA

Size	A	B	C	D	Weight Part
100	68-1/4	14-1/16	10-3/4	16-3/4	90
120	63-3/8	16-5/16	12-3/8	18-3/8	105
135	59-15/16	17-15/16	13-1/2	19-1/2	110
150	55-15/16	19-5/8	14-5/8	20-5/8	115
165	51-5/8	21-1/4	15-13/16	21-13/16	115
180	46-3/8	22-7/8	16-15/16	22-15/16	115
195	42-1/4	24-9/16	18-3/16	24-3/16	130
210	35-15/16	26-1/4	19-5/16	25-5/16	130
225	31	27-7/8	20-7/16	26-7/16	125
245	25-7/16	30	22	28	120

ALL DIMENSIONS IN INCHES. WEIGHTS IN LBS.