



Stack Extension

DATE: _____

PROJECT: _____

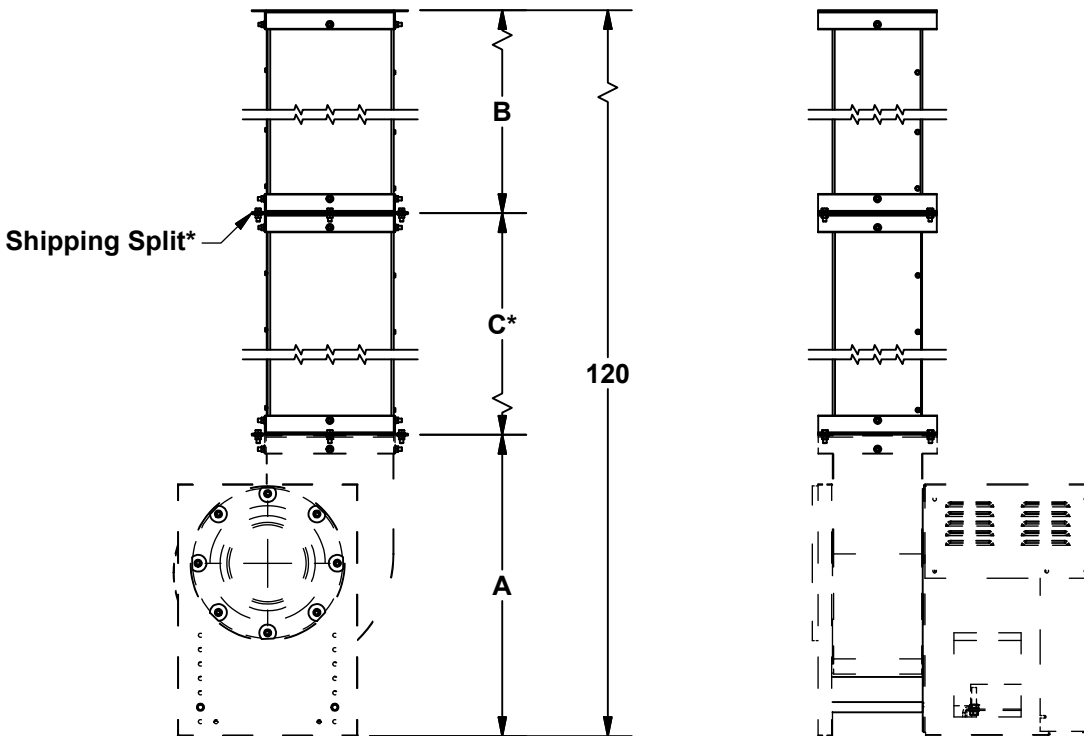
LOCATION: _____

Accessory Data Sheet

CPS, CPS-A, CPV

Class 2

Sizes 120 thru 365



DIMENSION DATA

Size	A	B	C	Stack Wt.
120	35 3/8	42 5/16	42 5/16	45
135	35 7/8	42 1/16	42 1/16	49
150	37 5/16	41 5/16	41 5/16	54
165	40 3/8	39 13/16	39 13/16	58
180	41 5/8	39 3/16	39 3/16	62
195	42 1/16	39	39	67
210	45 3/8	37 5/16	37 5/16	80
225	47 5/8	36 3/16	36 3/16	74
245	51 3/8	34 5/16	34 5/16	86
270	55 3/4	32 1/8	32 1/8	92
300	61 1/2	58 1/2	-	101
330	67 5/16	52 11/16	-	103
365	74 3/16	45 13/16	-	104

Standard Construction Features:

Corrosion resistant aluminum construction - Designed to withstand 125 mph wind**

*One piece stack for sizes 300 thru 365. Stack weight includes hardware and all necessary components.

**Wind Rating Dependant on Adequate Mounting Structure. Refer to I.O.M Manual.

ALL DIMENSIONS IN INCHES. WEIGHTS IN LBS.

X0710R00