



COOK

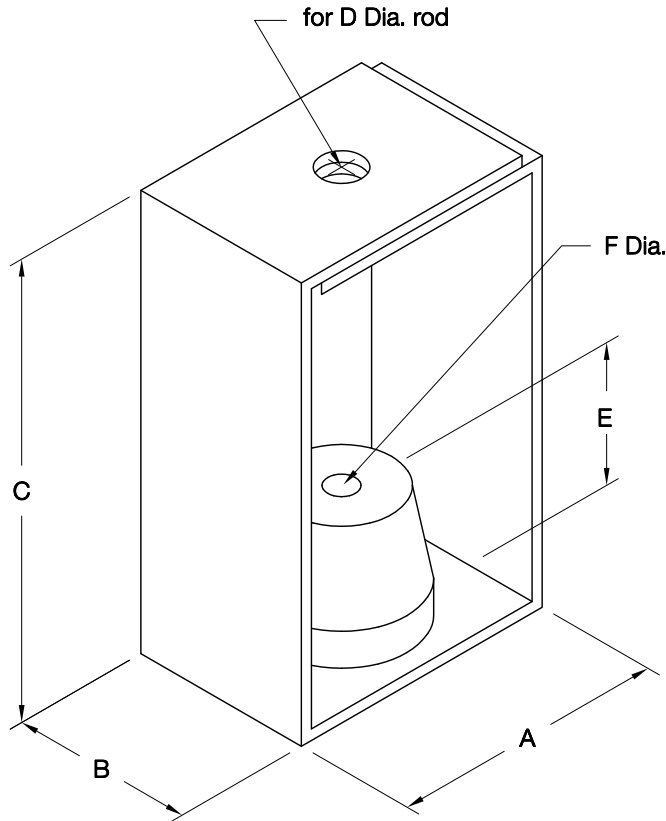
RIS CEILING

DATE: _____

PROJECT: _____

LOCATION: _____

Rubber-In-Shear
Isolator
Ceiling Mounted



DIMENSION DATA

Model	Manuf	Manuf Model	Rated Load	Rated Deflect	A	B	C	D	E	F	Ship Wt.
RC-75	KNC	RH-75A	75	.20	2-5/32	1-1/2	2-23/32	11/16	15/32	3/8	1
RC-125	KNC	RH-125A	125	.20	2-5/32	1-1/2	2-23/32	11/16	15/32	3/8	1
RC-175	KNC	RH-175B	175	.35	3-5/32	2-1/4	5-11/16	3/4	1-31/64	29/32	2
RC-300	KNC	RH-300B	300	.53	3-5/32	2-1/4	5-11/16	3/4	1-31/64	29/32	2
RC-450	KNC	RH-450B	450	.55	3-5/32	2-1/4	5-11/16	3/4	1-31/64	29/32	2
RC-700	KNC	RH-700C	700	.57	4	4-3/4	8	3/4	1-1/2	29/32	3
RC-1100	KNC	RH-1100C	1100	.46	4	4-3/4	8	3/4	1-1/2	29/32	3
RC-2000	KNC	RH-2000C	2000	.53	4	4-3/4	8	3/4	1-1/2	29/32	3

ALL DIMENSIONS IN INCHES. ALL WEIGHTS IN LBS.