



COOK

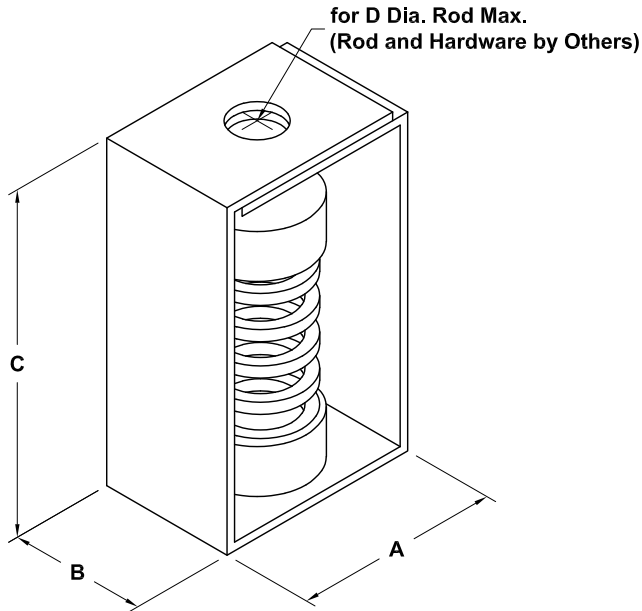
Spring Ceiling

DATE: _____

PROJECT: _____

LOCATION: _____

Accessory Data Sheet
Spring Isolator
Ceiling Mount



DIMENSION DATA

L.C. Model	Manuf	Manuf Model	Rated Deflect	Rated Load	Spr.Rate (lbs/in)	A Length	B Width	C Height	D Rod Dia	Ship Wt.
SC-35	KNC	SH-1-35	1.52	35	23	3-11/16	2-1/4	5-1/4	3/8	2
SC-70	KNC	SH-1-70	1.36	70	51	3-11/16	2-1/4	5-1/4	1/2	2
SC-125	KNC	SH-1-125	1.23	125	100	3-11/16	2-1/4	5-1/4	1/2	2
SC-245	KNC	SH-1-245	1.19	245	206	3-11/16	2-1/4	5-1/4	1/2	2
SC-370	KNC	SH-1-370	1	370	370	3-11/16	2-1/4	5-1/4	1/2	2
SC-500	KNC	*SH-1-500	1	500	500	3-11/16	2-1/4	5-1/4	5/8	2
SC-1000	KNC	SH-1-1000	1.15	1000	870	5-9/16	3-5/8	8-9/16	3/4	5
SC-1700	KNC	SH-1-1700	1	1700	1700	5-9/16	3-5/8	8-9/16	3/4	5

ALL DIMENSIONS IN INCHES.
 ALL ISOLATORS LISTED ARE DESIGNED TO PROVIDE A MINIMUM OF 50% OVERLOAD CAPACITY,
 EXCEPT THOSE MARKED BY (*) PROVIDES A MINIMUM OF 39% OVERLOAD CAPACITY.