



COOK Restrained, Spring Floor

DATE: _____

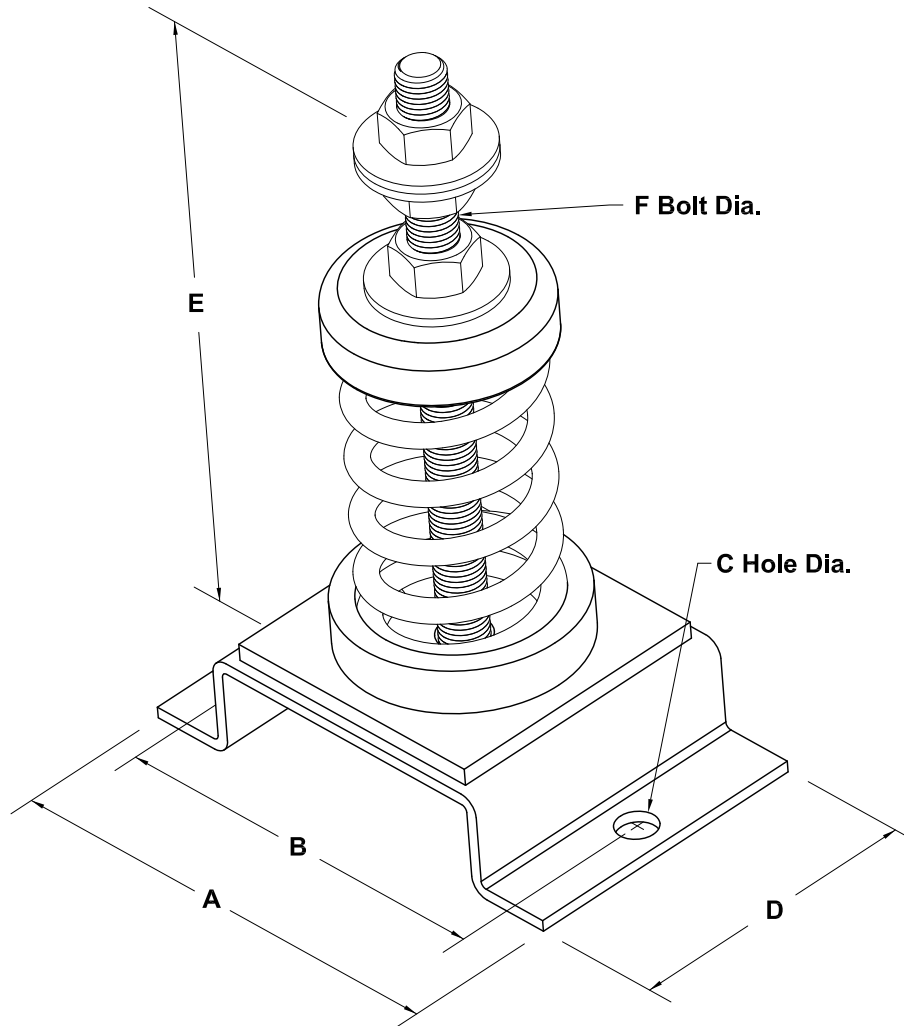
Restrained Spring

PROJECT: _____

Isolator

LOCATION: _____

Floor Mounted



DIMENSION DATA

L.C. Model	Manuf	Manuf Model	Rated Load	Spr.Rate (lbs/in)	A Length	B Centerline	C Hole Dia.	D Base W.	E Op.Height	F Bolt	Ship Wt.
RS-70	KNC	FRS-1-70	70	51	4-3/4	3-3/4	7/16	3	5	1/2	2
RS-120	KNC	FRS-1-120	120	98	4-3/4	3-3/4	7/16	3	5	1/2	2
RS-220	KNC	FRS-1-220	220	196	4-3/4	3-3/4	7/16	3	5	1/2	2
RS-370	KNC	FRS-1-370	370	366	4-3/4	3-3/4	7/16	3	5	1/2	2
RS-625	KNC	FRS-1-625	625	419	8	6-1/2	11/16	4	7-1/2	5/8	8
RS-1250	KNC	FRS-1-1250	1250	1096	8	6-1/2	11/16	4	7-1/2	5/8	8
RS-1700	KNC	FRS-1-1700	1700	1700	8	6-1/2	11/16	4	7-1/2	5/8	8
RS-2200	KNC	FRS-1-2200	2200	2200	8	6-1/2	11/16	4	7-1/2	5/8	8
RS-3500	KNC	FRS-1-3500	3500	3500	8	6-1/2	11/16	4	7-1/2	5/8	8

ALL DIMENSIONS IN INCHES.

ALL ISOLATORS LISTED ARE DESIGNED TO PROVIDE A MINIMUM OF 50% OVERLOAD CAPACITY.