



**COOK**

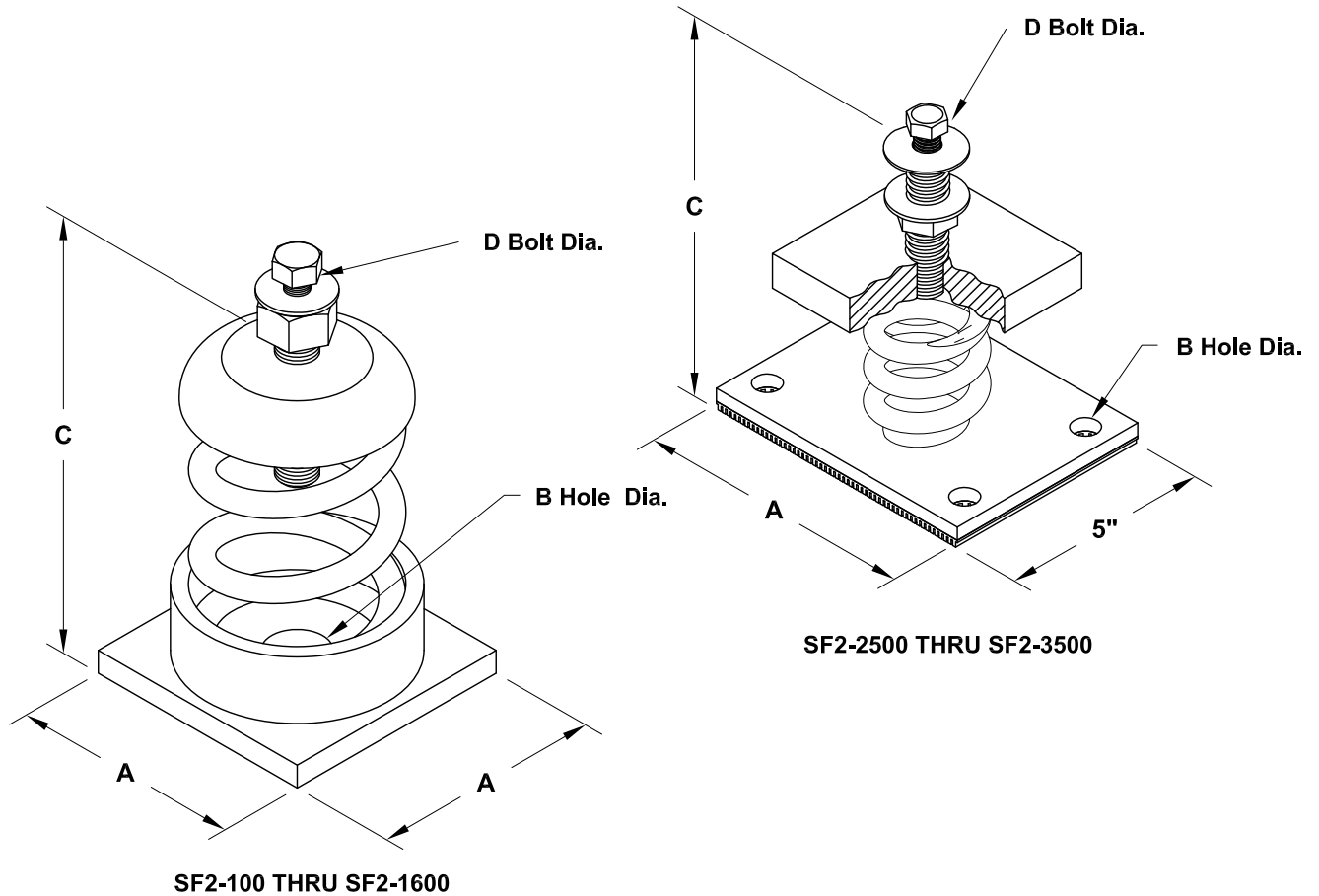
# Spring Floor

DATE: \_\_\_\_\_

PROJECT: \_\_\_\_\_

LOCATION: \_\_\_\_\_

**Free Standing Spring  
Isolator  
Floor Mounted  
2" Deflection**



**DIMENSION DATA**

L.C. Model	Manuf	Manuf Model	Spring Color		Rated Deflect	Rated Load	Spr.Rate (lbs/in)	A Length	B Hole Dia.	C Op.Height	D Bolt	Ship Wt.
			Outer	Inner								
SF2-100	KNC	FDS-2-100	GRAY	-	2	100	50	4-3/8	1	7.31	3/8	6
SF2-135	KNC	FDS-2-135	BEIGE	-	2	135	68	4-3/8	1	7.31	3/8	6
SF2-225	KNC	FDS-2-225	GRAY	BROWN	2	225	113	4-3/8	1	7.31	3/8	6
SF2-375	KNC	FDS-2-375	BLUE	BROWN	2	375	188	4-3/8	1	7.31	3/8	6
SF2-625	KNC	FDS-2-625	GREEN	BROWN	2	625	313	4-3/8	1	7.31	3/8	6
SF2-1400	KNC	FDS-2-1400	ORANGE	GREEN	2.01	1400	697	4-3/8	1	7.31	3/8	8
SF2-1600	KNC	FDS-2-1600	RED	-	2	1600	800	4-3/8	1	7.31	3/8	10
SF2-2500	KNC	FDS-2-2500B	GRAY	-	2	2500	1250	7	9/16	8.75	3/8	20
SF2-3500	KNC	FDS-2-3500B	GRAY	GRAY	2	3500	1750	7	9/16	8.75	3/8	30

ALL DIMENSIONS IN INCHES.  
ALL ISOLATORS LISTED ARE DESIGNED TO PROVIDE A MINIMUM OF 50% OVERLOAD CAPACITY.  
\* B HOLE IS USED FOR ISOLATOR MOUNTING.