



# COOK

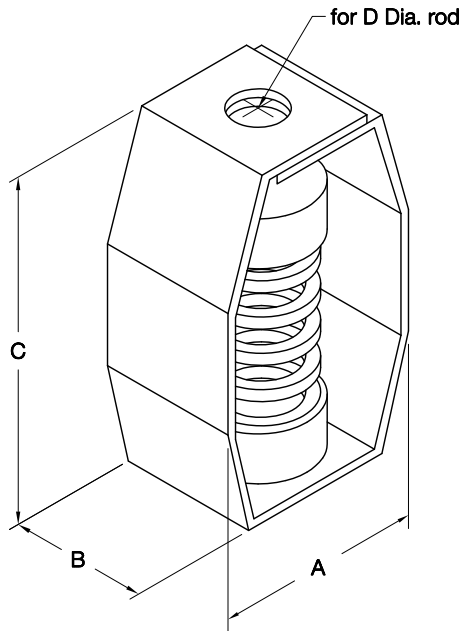
# SPRING CEILING

DATE: \_\_\_\_\_

PROJECT: \_\_\_\_\_

LOCATION: \_\_\_\_\_

Spring  
Isolator  
Ceiling Mounted  
2" Deflection



### DIMENSION DATA

L.C. Model	Manuf	Manuf Model	Rated Deflect	Rated Load	Spr.Rate (lbs/in)	A Length	B Width	C Height	D Rod Dia	Ship Wt.
SC2-35	KNC	SH-2-35	2	35	18	3-11/16	2-1/4	7-3/8	1/2	3
SC2-70	KNC	SH-2-70	2	70	35	3-11/16	2-1/4	7-3/8	1/2	3
SC2-120	KNC	SH-2-120	2	120	60	3-11/16	2-1/4	7-3/8	1/2	3
SC2-260	KNC	SH-2-260	2.21	260	118	5-9/16	3-5/8	8-5/8	7/8	6
SC2-465	KNC	SH-2-465	2.01	465	232	5-9/16	3-5/8	8-5/8	7/8	6
SC2-1025	KNC	SH-2-1025	1.99	1025	515	5-9/16	3-5/8	8-5/8	7/8	6
SC2-2000	KNC	SH-2-2000	2	2000	1000	6	6	12	1	17

ALL DIMENSIONS IN INCHES.

ALL ISOLATORS LISTED ARE DESIGNED TO PROVIDE A MINIMUM OF 50% OVERLOAD CAPACITY,