



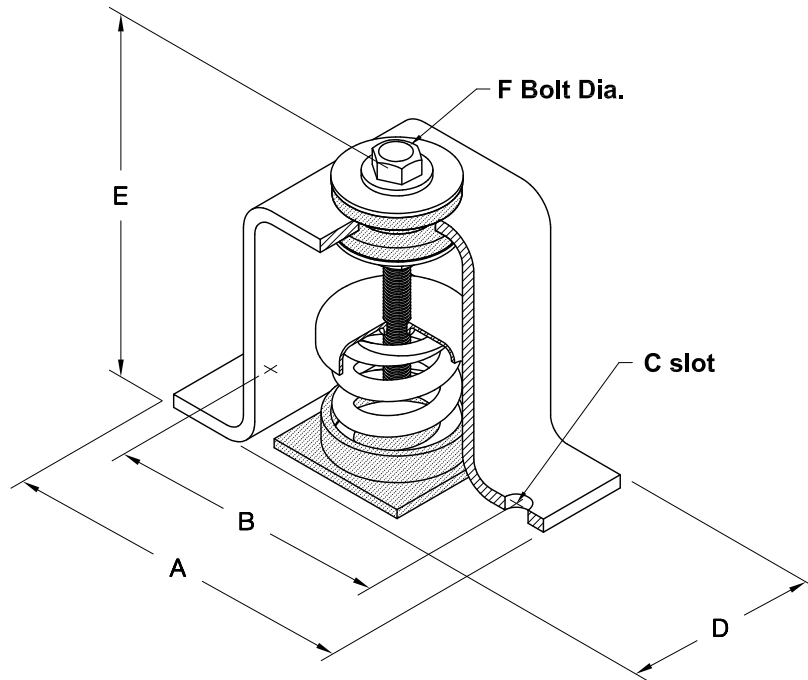
COOK Seismic Restrained Spring

DATE: _____

PROJECT: _____

LOCATION: _____

Accessory Data Sheet
 Seismic Restrained
 Spring Isolator
 Floor Mounted
 1" Deflection



DIMENSION DATA

L.C. Model	Manuf	Manuf Model	Rated Deflect	Rated Load	Spr.Rate (lbs/in)	A Length	B Centerline	C Slot/Hole	D Width	E Op.Height	F Bolt	Ship Wt.
SRS-100	KNC	FHS-1-100	1.00	100	100	9-9/16	7-13/16	13/16	5	7-9/16	5/8	8
SRS-250	KNC	FHS-1-250	1.79	250	140	9-9/16	7-13/16	13/16	5	7-9/16	5/8	8
SRS-450	KNC	FHS-1-450	1.54	450	293	9-9/16	7-13/16	13/16	5	7-9/16	5/8	8
SRS-625	KNC	FHS-1-625	1.44	625	435	9-9/16	7-13/16	13/16	5	7-9/16	5/8	8
SRS-800	KNC	FHS-1-800	1.31	800	611	9-9/16	7-13/16	13/16	5	7-9/16	5/8	8
SRS-1000	KNC	FHS-1-1000	1.15	1000	870	9-9/16	7-13/16	13/16	5	7-9/16	5/8	8
SRS-1250	KNC	FHS-1-1250	1.09	1250	1147	9-9/16	7-13/16	13/16	5	7-9/16	5/8	8
SRS-1700	KNC	FHS-1-1700	.95	1700	1790	9-9/16	7-13/16	13/16	5	7-9/16	5/8	8
SRS-2200	KNC	FHS-1-2200	1.00	2200	2200	9-9/16	7-13/16	13/16	5	7-9/16	5/8	9
SRS-2465*	KNC	FHS-1-2465	1.00	2465	2465	9-9/16	7-13/16	13/16	5	7-9/16	5/8	8
SRS-2865*	KNC	FHS-1-2865	1.00	2865	2865	9-9/16	7-13/16	13/16	5	7-9/16	5/8	9
SRS-3500*	KNC	FHS-1-3500	1.00	3500	3500	9-9/16	7-13/16	13/16	5	7-9/16	5/8	9

ALL DIMENSIONS IN INCHES. WEIGHTS IN LBS.

ALL ISOLATORS LISTED ARE DESIGNED TO PROVIDE A MINIMUM OF 50% OVERLOAD CAPACITY.

*DESIGNATED ISOLATORS INCLUDE WELDED GUSSETS.

X0946R00