



COOK

Inlet Piezometric Ring

DATE: _____

PROJECT: _____

LOCATION: _____

Accessory Data Sheet

Airflow Measuring Station

CA/CF SWSI, CA-4/CF-4 SWSI

CA/CA-4 DWDI, CAF-DW

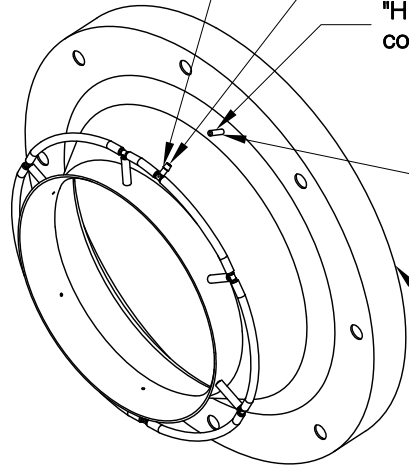
CP Units, QMX, PLC, TCN, CIC

1/4" Plastic Male Barbed Fitting (connection for PLC application)

"Low Side" pressure tips connection

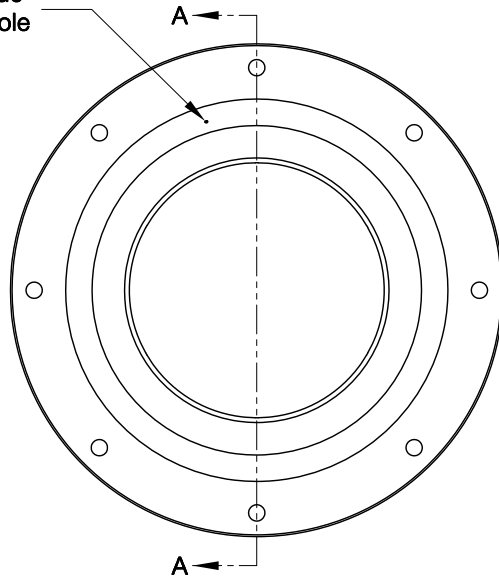
"High Side" pressure tip connection

1/4" O.D. Aluminum Tubing (connection for PLC application)

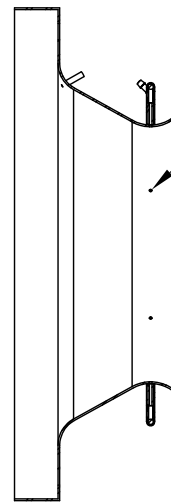


PLC, TCN, CA/CF SWSI Arr. 3 and CA-4/CF-4 SWSI Arr. 3, CA-DWDI, CAF-DW, and QMX are without flange on inlet. CA/CF-SWSI Arr. 1, 9 & 10, CA-4/CF-4 SWSI Arr. 1 & 2, CP, and CIC are as shown.

"High Side" pressure hole



"Low Side" pressure holes



SECTION A-A

Notes:

External 1/8" brass male pressure fittings will be provided for for all housed fans. For PLC applications inlet pressure connectors are provided as shown above. Consult factory for optional arrangements.