



COOK

Inlet Piezometric Ring

MARK: _____

PROJECT: _____

DATE: _____

Accessory Data Sheet
Airflow Measuring Station
CA/CF SWSI, CA-4/CF-4 SWSI
CA/CA-4 DWDI, CAF-DW
CP Units, QMX, PLC, TCN, CIC

NOTES:

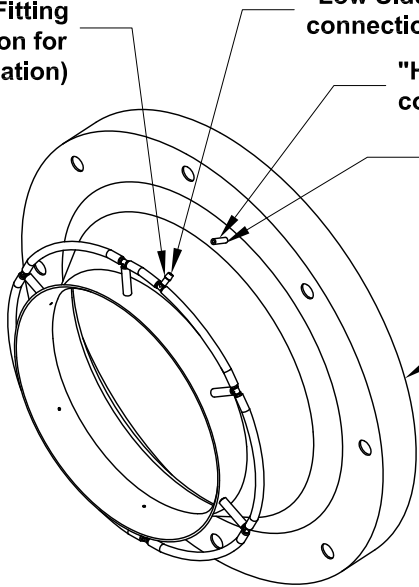
- External 1/8" NPT male pressure fittings will be provided for all housed fan applications. For PLC applications inlet pressure connections are provided as shown above.
- Consult factory for optional arrangements.
- Standard piezometric ring is rated up to 180°F. High temperature options (limited to 300°F) are available upon request.
- This product is intended for clean air applications only.

1/4" Plastic Male Barbed Fitting (connection for PLC application)

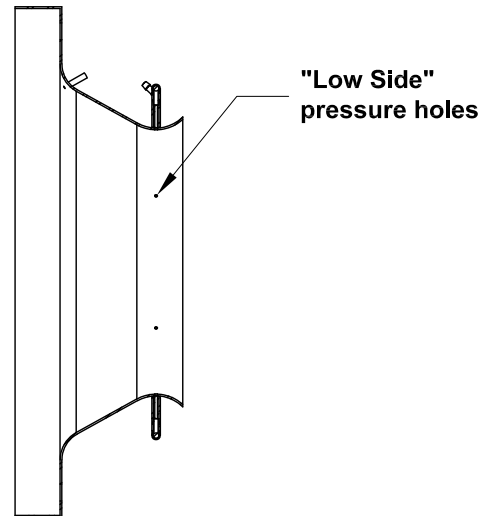
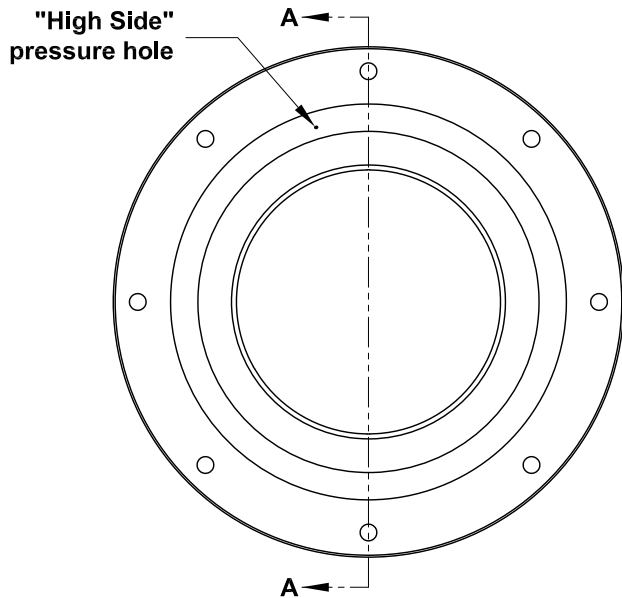
"Low Side" pressure tips connection

"High Side" pressure tip connection

1/4" O.D. Aluminum Tubing (connection for PLC application)



PLC, TCN, CA/CF SWSI Arr. 3 and CA-4/CF-4 SWSI Arr. 3, CA-DWDI, CAF-DW, and QMX are without flange on inlet. CA/CF-SWSI Arr. 1, 9 & 10, CA-4/CF-4 SWSI Arr. 1 & 2, CP, and CIC are as shown.



SECTION A-A