



COOK

Weather Cover

DATE: _____

PROJECT: _____

LOCATION: _____

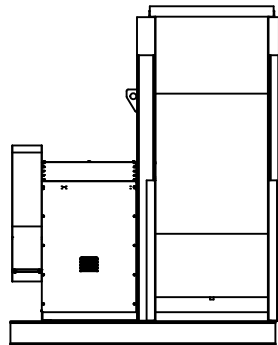
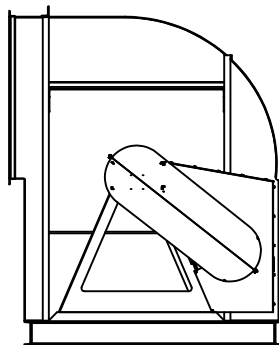
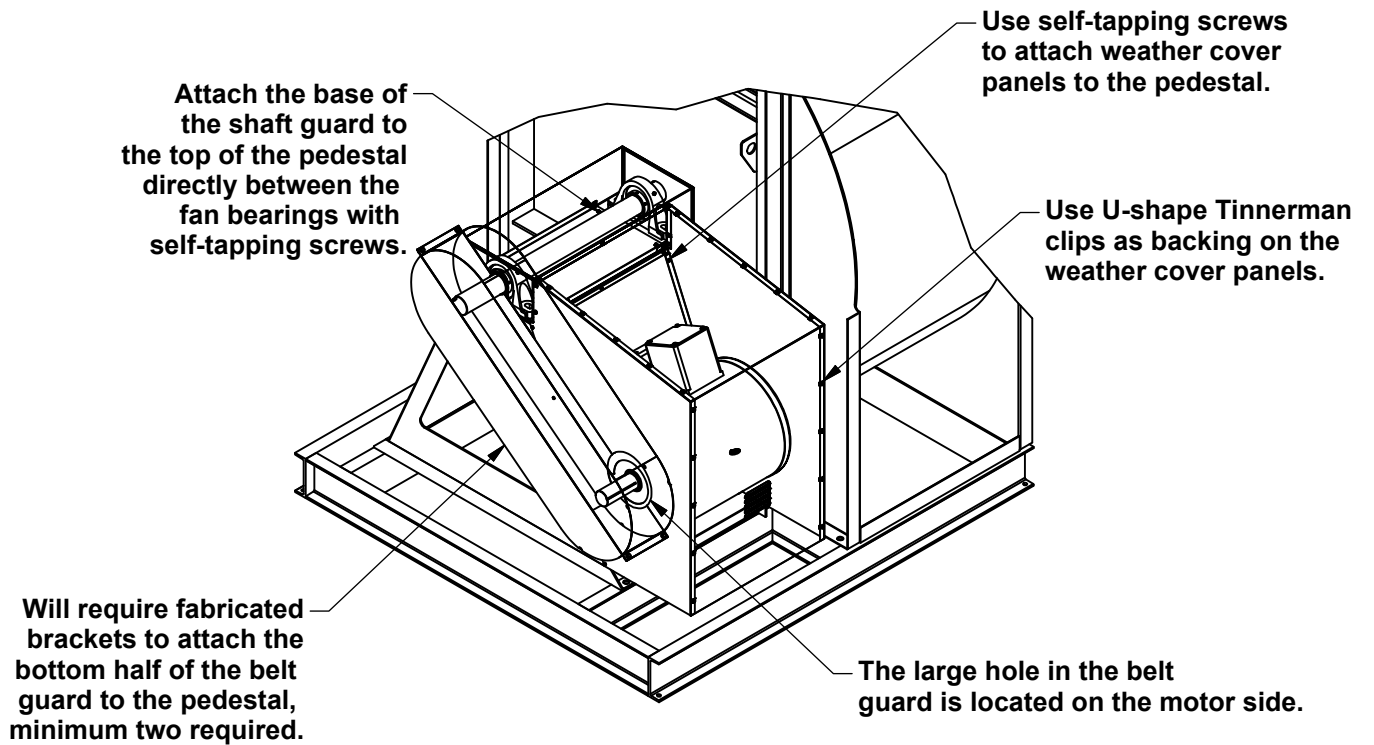
Accessory Data Sheet

Sizes 120-730

CA/CF-SWSI

Arrangement 9

Note: The weather cover is composed of three items, the shaft/bearing guard, the belt guard, and the motor cover. This is a representation only, with the motor location shown standard opposite side of the discharge.



Motor on right (as shown):

UBD CW	THD CCW
BAU CW	TAU CCW
BHD CW	TAD CCW
	DBD CCW

Motor on left (opposite shown):

THD CW	UBD CCW
TAU CW	BAU CCW
TAD CW	BHD CCW
DBD CW	

*Counterclockwise Top Horizontal Discharge Shown (see chart at right for actual weather cover placement).