



COOK

TIME DELAY SWITCH

DATE: _____

PROJECT: _____

LOCATION: _____

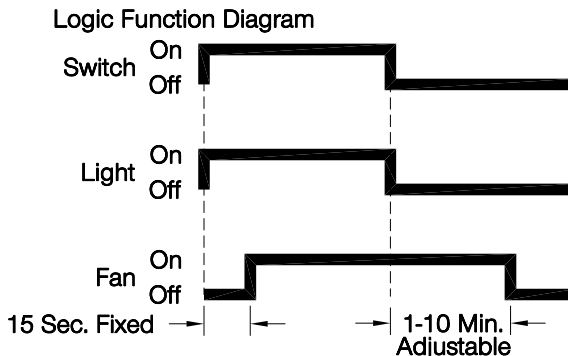


Time Delay Switch

Operating Logic:

Moving the switch to the "on" position turns the light on immediately and the exhaust fan on 15 seconds later.

Both light and fan stay on until the switch is moved to the "off" position which turns the light off immediately and the exhaust fan off after a 1 to 10 minute adjustable delay.



Specifications

Time Delay:

Fan On Delay: Factory preset @ 15 seconds \pm 5 sec.

Fan Off Delay Adjustable: 1 minute to 10 minutes

Input:

Operating Volts: 120 VAC \pm 10%, 50/60 Hz

Power Consumption: 3.5 watts max. (No loads connected)

Output:

Light: 3 amp. resistive @ 120 VAC
500 watt max. incandescent load
Fan: 10 amp. resistive, 1/3 hp @ 120 VAC

Mechanical and Hook-up

