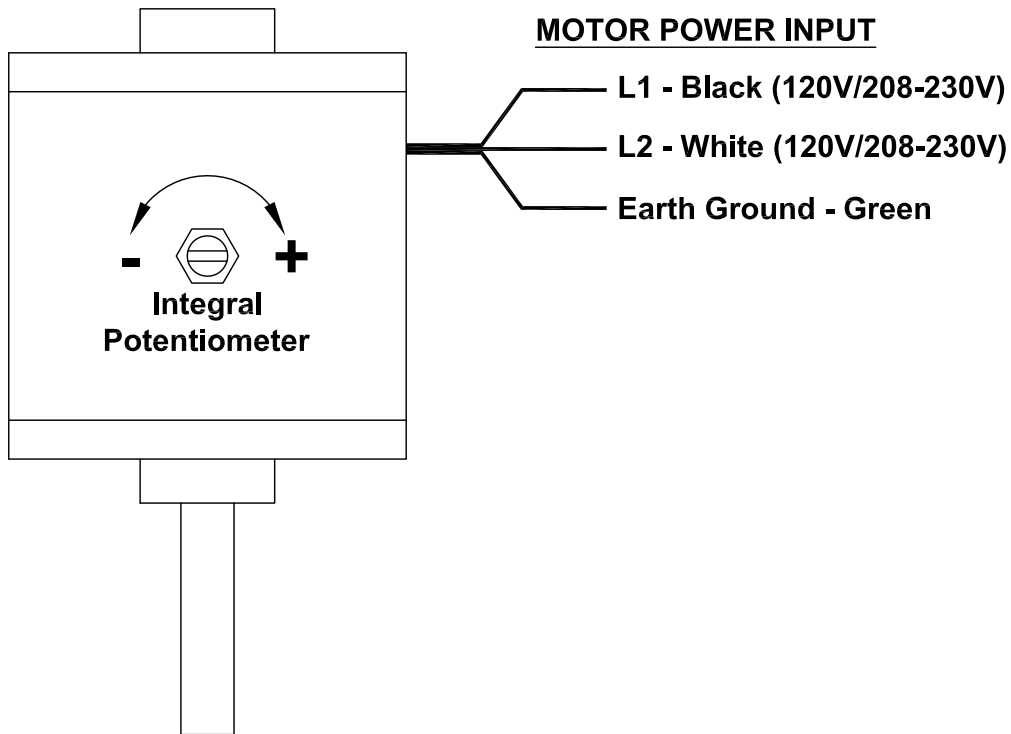


MARK: _____

PROJECT: _____

DATE: _____

Accessory Data Sheet
Internal Speed Control
Electronically Commutated (EC) Motor
Type P



STANDARD CONSTRUCTION FEATURES:

Integral potentiometer with slotted screw for speed adjustment.