

DATE: _____
 PROJECT: _____
 LOCATION: _____

Accessory Data Sheet
Variable Frequency Drive
Micro Drive
IP20/NEMA 1
YASKAWA V1000 Series
Single Phase

STANDARD CONSTRUCTION FEATURES:

Current vector control, open loop - RoHS compliance - Online tuning - Induction motor (IM) or permanent motor (PM) operation - Function Block Diagram (FBD) programming via DriveWorksEZ™ - Starting torque 200% at .5 Hz - Side by side installation - Removable terminal block with parameter backup function - "One-touch" copy function with verify - Super-fast 2 ms scan cycle with dual CPU - EN9541 Safety Cat. 3, Stop Cat. 0 - Vibration resistance, from 20 Hz to 50 Hz (0.65G) - Swing PWM function to decrease noise at low carrier frequencies - Pre-maintenance function - Modbus communication - Cooling fan replacement without tools - Short Circuit Current Rating (SCCR): 30kA rms symmetrical.

SPECIFICATIONS:

Input Range: 200-240± 10% VAC Single Phase / 48-62Hz
 Output Ratings: Output Power 240V Three Phase 1/6-5 HP
 Overload Capacity: 120% Overload for 60 sec.
 Output Frequency: 0~400 Hz
 Control Methods: Open Loop Current Vector Control, V/f Control, PM Open Loop Vector Control
 Simple closed loop speed control

Protective Design: IP20/NEMA1
 Braking Transistor: Standard in all models
 Braking Torque: 20-40% increase with intelligent high slip braking function

KEB Function: Uses mechanical energy to continue operation during momentary power failure, standard

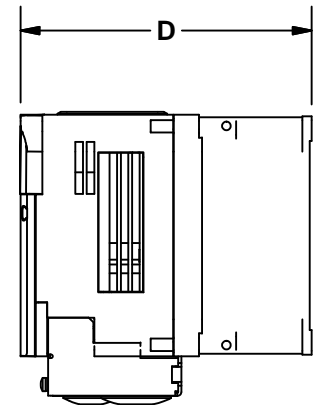
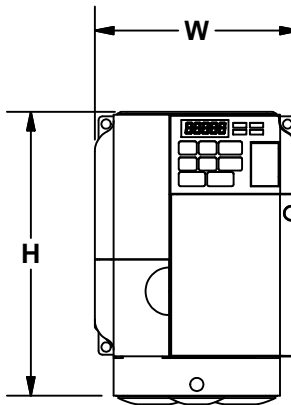
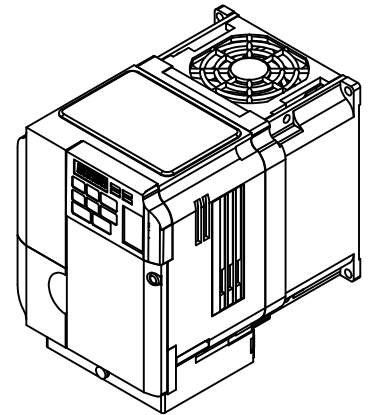
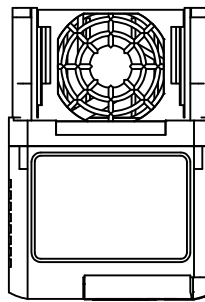
Overvoltage Function: Prevent function for die-cushion in a hydraulic mechanical press and other applications

Maintenance: Elapsed timer assists in preventative maintenance for cooling fan, capacitors, and transistors
 Easily replaceable cooling fan

Global Certification: CE, UL, cUL, RoHS, TUV
 Available I/O:
 (7) multi-function digital inputs
 (1) hardware baseblock
 (2) multi-function analog inputs
 (1) multi-function pulse input
 (1) multi-function relay output
 (2) multi-function photo-coupler outputs
 (1) multi-function 0-10 Vdc analog output
 (1) multi-function pulse output

Network Communication: Standard: RS-422/485 MODBUS 115 kbps
 Optional: DeviceNet, EtherNet/IP, Profibus-DP, Modbus, TCP/IP, MECHATROLINK-II

Keypad Operator: Standard LED 5 digit display
 Optional multi-lingual, full-text remote LCD



Size VY1D14N1EG shown.

DIMENSION DATA

Catalog No.	Voltage	HP	Output*	H	W	D	Wt.
VY1D07N1G	200-240	1/6	1.2	5.89	2.68	2.99	1.8
VY1D08N1G	200-240	1/4	1.9	5.89	2.68	2.99	1.8
VY1D11N1G	200-240	3/4	3.3	5.89	2.68	4.65	2.6
VY1D12N1G	200-240	1	6.0	5.89	4.25	5.41	4.2
VY1D14N1G	200-240	2	9.6	5.89	4.25	6.06	4.4
VY1D15N1G	200-240	3	12.0	6.02	5.51	6.42	5.7
VY1D16N1G	200-240	5	17.5	6.02	6.69	7.09	6.6

ALL DIMENSIONS IN INCHES. WEIGHTS IN LBS.
 *RATED THREE PHASE OUTPUT CURRENT (AMPS)