

DATE: _____
 PROJECT: _____
 LOCATION: _____

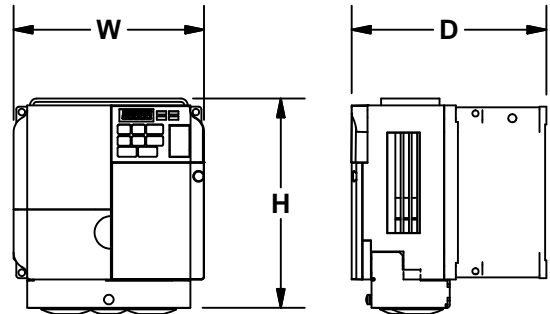
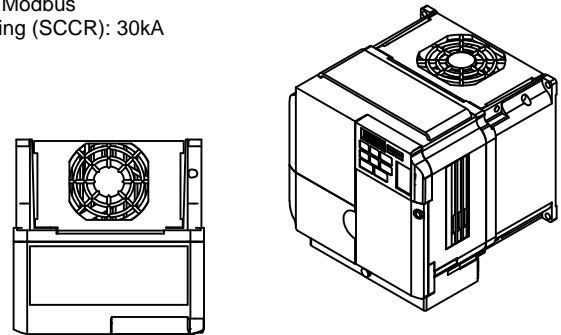
Accessory Data Sheet
Variable Frequency Drive
Micro Drive
IP20/NEMA 1
YASKAWA V1000 Series
Three Phase

STANDARD CONSTRUCTION FEATURES:

Current vector control, open loop - RoHS compliance - Online tuning - Induction motor (IM) or permanent motor (PM) operation - Function Block Diagram (FBD) programming via DriveWorksEZ™ - Starting torque 200% at .5 Hz - Side by side installation - Removable terminal block with parameter backup function - "One-touch" copy function with verify - Super-fast 2 ms scan cycle with dual CPU - EN9541 Safety Cat. 3, Stop Cat. 0 - Vibration resistance, from 20 Hz to 50 Hz (0.65G) - Swing PWM function to decrease noise at low carrier frequencies - Pre-maintenance function - Modbus communication - Cooling fan replacement without tools - Short Circuit Current Rating (SCCR): 30kA rms symmetrical.

SPECIFICATIONS:

Input Range: 200-240± 10% VAC Three Phase / 48-62Hz
 Output Ratings: Output Power 240V Three Phase 1/6-25 HP
 Overload Capacity: 120% Overload for 60 sec.
 Output Frequency: 0-400 Hz
 Control Methods: Open Loop Current Vector Control, V/f Control, PM Open Loop Vector Control
 Simple closed loop speed control
 Protective Design: IP20/NEMA1
 Braking Transistor: Standard in all models
 Braking Torque: 20-40% increase with intelligent high slip braking function
 KEB Function: Uses mechanical energy to continue operation during momentary power failure, standard
 Overvoltage Function: Prevent function for die-cushion in a hydraulic mechanical press and other applications
 Maintenance: Elapsed timer assists in preventative maintenance for cooling fan, capacitors, and transistors
 Easily replaceable cooling fan
 Global Certification: CE, UL, cUL, RoHS, TUV
 Available I/O: (7) multi-function digital inputs
 (1) hardware baseblock
 (2) multi-function analog inputs
 (1) multi-function pulse input
 (1) multi-function relay output
 (2) multi-function photo-coupler outputs
 (1) multi-function 0-10 Vdc analog output
 (1) multi-function pulse output
 Network Communication: Standard: RS-422/485 MODBUS 115 kbps
 Optional: DeviceNet, EtherNet/IP, Profibus-DP, Modbus TCP/IP, MECHATROLINK-II
 Keypad Operator: Standard LED 5 digit display
 Optional multi-lingual, full-text remote LCD



Size VY1G16N1EG shown.

DIMENSION DATA

Catalog No.	Voltage	HP	Output*	H	W	D	Wt.
VY1G07N1G	200-240	1/6	1.2	5.89	2.68	2.99	1.8
VY1G08N1G	200-240	1/4	1.9	5.89	2.68	2.99	1.8
VY1G11N1G	200-240	3/4	3.5	5.89	2.68	4.25	2.4
VY1G12N1G	200-240	1	6.0	5.89	2.68	5.04	2.9
VY1G14N1G	200-240	2	9.6	5.89	4.25	5.08	4.2
VY1G15N1G	200-240	3	12.0	5.89	4.25	5.41	4.2
VY1G16N1G	200-240	5	19.6	6.02	5.51	5.63	5.7
VY1G17N1G	200-240	7 1/2	30.0	10.00	5.51	5.51	8.4
VY1G18N1G	200-240	10	40.0	10.00	5.51	5.51	8.4
VY1G20N1G	200-240	20	56.0	11.42	7.09	6.42	12.1
VY1G25N1G	200-240	25	69.0	14.09	8.66	7.36	20.2

ALL DIMENSIONS IN INCHES. WEIGHTS IN LBS.
 *RATED OUTPUT CURRENT (AMPS)