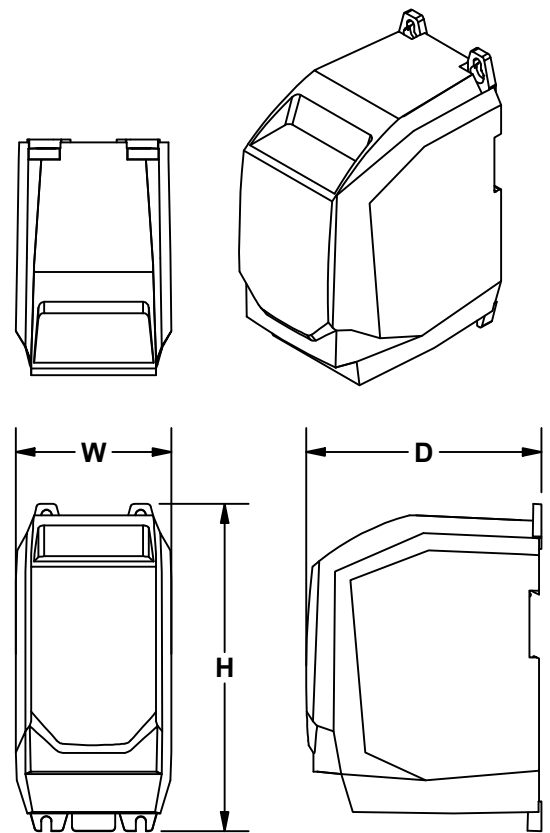


MARK: \_\_\_\_\_  
 PROJECT: \_\_\_\_\_  
 DATE: \_\_\_\_\_

**Accessory Data Sheet**  
**Variable Frequency Drive**  
**Micro Drive**  
**IP20**  
**Invertek E3 Series**  
**Three Phase**

**SPECIFICATIONS:**

Input Range: 380-460±10% VAC Three Phase / 48-62Hz  
 Output Ratings: Output Power 460V Three Phase Input 1-15 HP  
 Overload Capacity 150% Overload for 60 sec.  
 Output Frequency 0~500Hz, .1Hz resolution  
 Ambient Condition: Operating Temperature -20 to 50°C  
 Altitude up to 2000m maximum UL approved  
 Above 1000m derate by 1% per 100m  
 Enclosure: IP20  
 Programming: Built in keypad  
 Control Specifications: Control Method single phase V/F with starting boost  
 PWM Frequency 4-32kHz Effective  
 Stopping Modes:  
 Ramp to stop adjustable .1 to 600 seconds  
 Coast to stop  
 Motor flux braking  
 Skip Frequency single point user adjustable  
 Setpoint Control  
 I/O Specifications: MODBUS RTU, Profibus DP, DeviceNet, EthernetIP  
 Power Supply 24 Volt DC, 100mA,  
 10 Volt DC, 5mA for potentiometer  
 Programmable Inputs: 4 Total, 2 Digital, 2 D/A selectable  
 Programmable Outputs: 2 Total, 1 D/A selectable, 1 relay  
 Relay Output: Maximum 250V/6A AC, 30V/5A DC  
 Analog Output: 0 to 10 Volt  
 Control Features: Internal PID control with feedback  
 Standards: UL, cUL  
 Compliance:



Size VO1J12N00K shown.

**DIMENSION DATA**

Catalog No.	Voltage	Max HP	Output*	H	W	D	Wt.
VO1J12N00K	380-480	1	2.2	6.81	3.27	4.84	2.4
VO1J14N00K	380-480	2	4.1	6.81	3.27	4.84	2.4
VO1J15N00K	380-480	3	5.8	8.70	4.33	5.91	5.7
VO1J16N00K	380-480	5	9.5	8.70	4.33	5.91	5.7
VO1J17N00K	380-480	7.5	14.0	10.28	5.16	6.89	8.8
VO1J18N00K	380-480	10	18.0	10.28	5.16	6.89	8.8
VO1J19N00K	380-480	15	24.0	10.28	5.16	6.89	8.8

ALL DIMENSIONS IN INCHES. WEIGHTS IN LBS.  
 \*RATED THREE PHASE OUTPUT CURRENT (AMPS)