



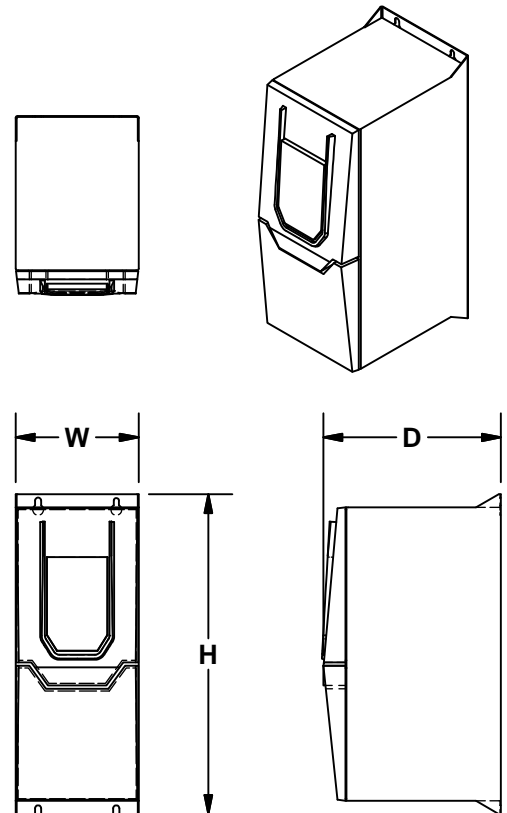
# VFD

DATE: \_\_\_\_\_  
 PROJECT: \_\_\_\_\_  
 LOCATION: \_\_\_\_\_

**Accessory Data Sheet**  
**Variable Frequency Drive**  
**HVAC Drive**  
**IP66/IP40**  
**Invertek HVAC Series**  
**Three Phase**

**SPECIFICATIONS:**

Input Range: 200-240±10% VAC Three Phase / 48-62Hz  
 Output Ratings: Output Power 230V Three Phase 1-100 HP  
 Overload Capacity 110% Overload for 60 sec.  
 Output Frequency 0~120Hz, .1Hz resolution  
 Ambient Condition: Temperature Operating 10 to 40°C  
 Altitude up to 2000m maximum UL approved  
 Above 1000m derate by 1% per 100m  
 Enclosure: IP66 (NEMA 4) through 5 HP, IP40 (NEMA 1) 7.5 - 100 HP  
 Programming: Built in keypad  
 Control Specifications: PWM Frequency 4-32kHz Effective  
 Stopping Modes:  
 Ramp to stop adjustable 1 to 600 seconds  
 Coast to stop  
 Motor flux braking  
 Skip Frequency single point user adjustable  
 Setpoint Control  
 MODBUS RTU, BACnet, BACnet/IP, Profibus DP, DeviceNet, EthernetIP  
 I/O Specifications: Power Supply 24 Volt DC, 100mA,  
 10 Volt DC, 5mA for potentiometer  
 Programmable Inputs: 5 Total, 3 Digital, 2 D/A selectable  
 Programmable Outputs: 4 Total, 2 D/A selectable, 2 relay  
 Relay Output: Maximum 250V/6A AC, 30V/5A DC  
 Analog Output: 0 to 10 Volt  
 Control Features: Internal PID control with feedback  
 Standards: UL, cUL  
 Compliance:



**DIMENSION DATA**

Catalog No.	Voltage	HP	Output*	H	W	D	Wt.
VO2G12N4G	200-240	1	4.3	10.12	7.40	9.41	10.6
VO2G14N4G	200-240	2	7.0	10.12	7.40	9.41	10.6
VO2G15N4G	200-240	3	10.5	10.12	7.40	9.41	10.6
VO2G16N4G	200-240	5	18.0	12.20	8.30	9.88	16.1
VO2G17N1G	200-240	7.5	24.0	17.32	6.73	9.45	25.4
VO2G18N1G	200-240	10	30.0	17.32	6.73	9.45	25.4
VO2G19N1G	200-240	15	46.0	17.32	6.73	9.45	25.4
VO2G20N1G	200-240	20	61.0	21.25	9.25	10.63	49.6
VO2G21N1G	200-240	25	72.0	21.25	9.25	10.63	49.6
VO2G22N1G	200-240	30	90.0	21.25	9.25	10.63	49.6
VO2G23N1G	200-240	40	110.0	34.05	12.99	12.99	110.2
VO2G24N1G	200-240	50	150.0	34.05	12.99	12.99	110.2
VO2G25N1G	200-240	60	180.0	34.05	12.99	12.99	110.2
VO2G26N1G	200-240	75	202.0	34.05	12.99	12.99	110.2
VO2G27N1G	200-240	100	248.0	50.37	12.99	14.17	176.4

ALL DIMENSIONS IN INCHES. WEIGHTS IN LBS.  
 \*RATED OUTPUT CURRENT (AMPS)