



# COOK

# Speed Control

DATE: \_\_\_\_\_

PROJECT: \_\_\_\_\_

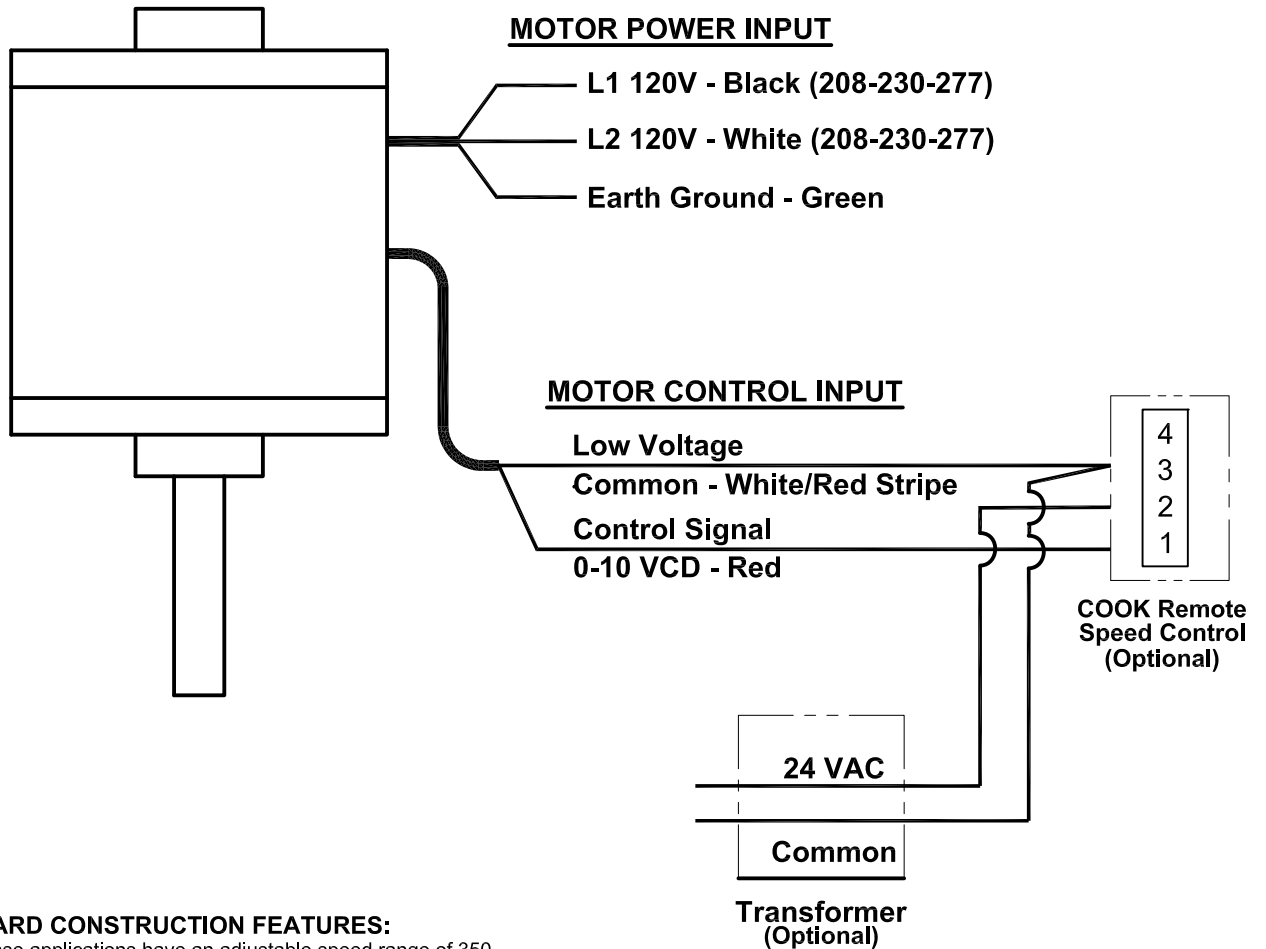
LOCATION: \_\_\_\_\_

Accessory Data Sheet

External Signal Speed Control

Electronically Commutated (EC) Motor

Type R



**STANDARD CONSTRUCTION FEATURES:**

Single phase applications have an adjustable speed range of 350 to 1725