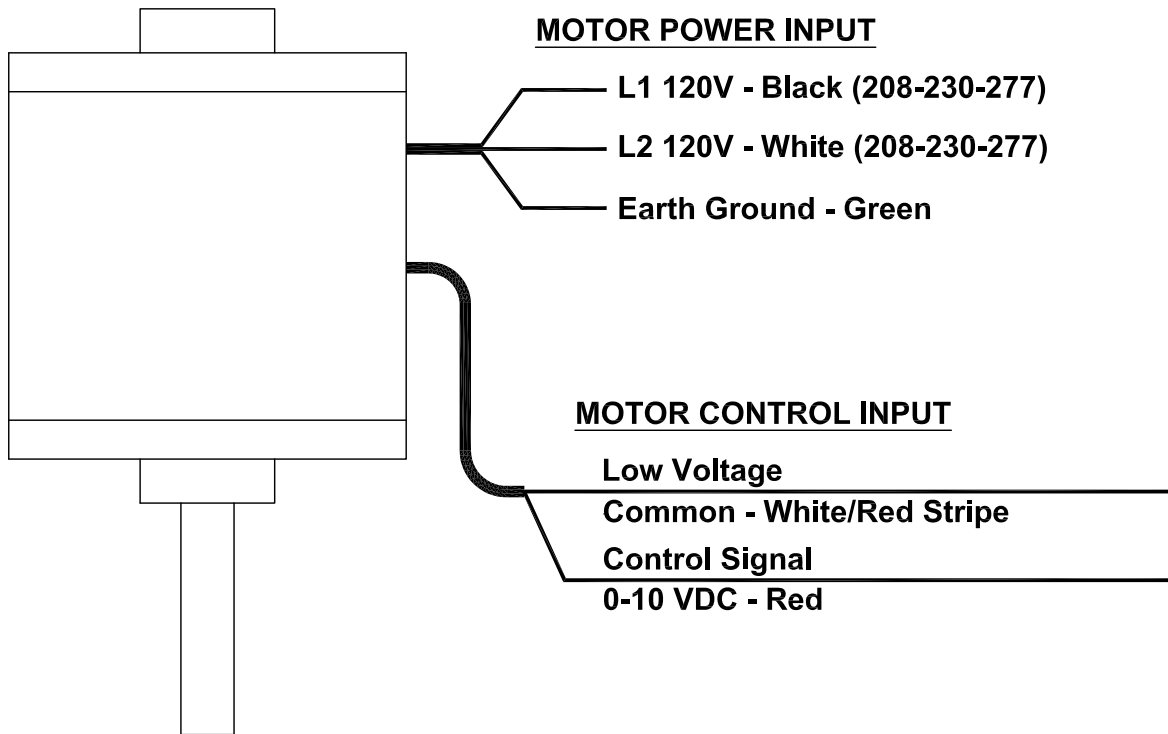


MARK: \_\_\_\_\_

PROJECT: \_\_\_\_\_

DATE: \_\_\_\_\_

Accessory Data Sheet  
External Signal Speed Control  
Electronically Commutated (EC) Motor  
Type R



**STANDARD CONSTRUCTION FEATURES:**

Single phase applications have an adjustable speed range of 350 to 1725