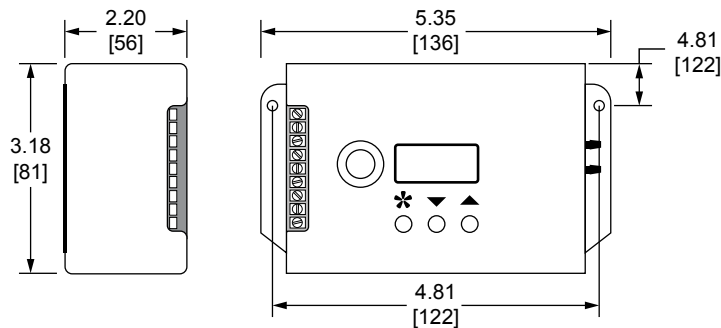


DATE: _____
 PROJECT: _____
 LOCATION: _____


**Accessory Data Sheet
 Pressure Controller**
Product Description

The Vari-Flow Pressure Controller (VFPC) is used to modulate fan speed via a 0-10VDC output signal to a Vari-Flow motor to maintain a constant static or differential pressure at a given set point in a duct, a space or between areas.

Setup is configured via a pushbutton menu and digital readout. Monitoring capability is achieved through dry contact set points.


Specifications

| | |
|---------------------------------|---|
| Pressure Range | VFPC 1.0: 0–1" wg VFPC 2.0: 0–2" wg VFPC 5.0: 0–5" wg |
| Power Supply | 24VAC |
| Power Consumption | 3.6VA |
| Minimum Conductor | 18 AWG (8mm ²) copper or equivalent |
| Pressure Port Connection | 1/8" (3.175mm) barbed fitting |
| Output | 0–10VDC, 2–10VDC (selectable) |
| Burst Pressure | 1.5 PSI (10.3 KPa) either port |
| Response Speed | 1–25 (factory setting=2) |
| Contacts | NO and NC field configurable settings |
| Operating Temperature | 32°F to 104°F (0°C to 40°C) |
| Storage Temperature | -40°F to 176°F (-40°C to 80°C) |
| Weight | 0.7 lb (317.5g) |