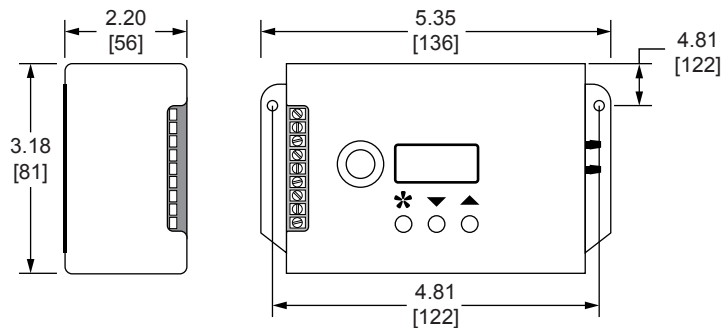


DATE: \_\_\_\_\_  
 PROJECT: \_\_\_\_\_  
 LOCATION: \_\_\_\_\_


**Accessory Data Sheet  
 Pressure Controller**
**Product Description**

The Vari-Flow Pressure Controller (VFPC) is used to modulate fan speed via a 0-10VDC output signal to a Vari-Flow motor to maintain a constant static or differential pressure at a given set point in a duct, a space or between areas.

Setup is configured via a pushbutton menu and digital readout. Monitoring capability is achieved through dry contact set points.


**Specifications**

<b>Pressure Range</b>	VFPC 1.0: 0–1" wg VFPC 2.0: 0–2" wg VFPC 5.0: 0–5" wg
<b>Power Supply</b>	24V
<b>Power Consumption</b>	3.6VA
<b>Minimum Conductor</b>	18 AWG (8mm <sup>2</sup> ) copper or equivalent
<b>Pressure Port Connection</b>	1/8" (3.175mm) barbed fitting
<b>Output</b>	0–10VDC, 2–10VDC (selectable)
<b>Total Error</b>	Max. ±2.0% of full scale (from 50°F to 104°F [10°C to 40°C])
<b>Burst Pressure</b>	1.5 PSI (10.3 KPa) either port
<b>Response Speed</b>	1–25 (factory setting=2)
<b>Contacts</b>	NO and NC field configurable settings
<b>Operating Temperature</b>	32°F to 104°F (0°C to 40°C)
<b>Storage Temperature</b>	–40°F to 176°F (–40°C to 80°C)
<b>Weight</b>	0.7 lb (317.5g)