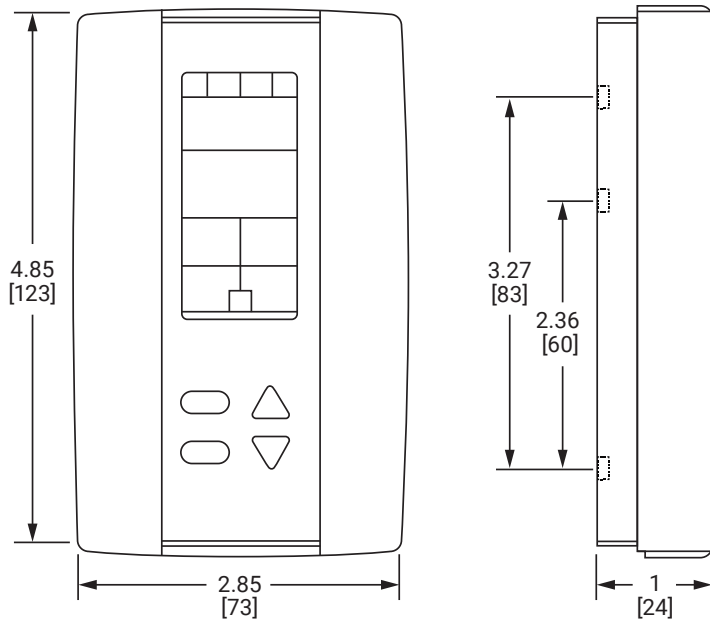


DATE: _____
 PROJECT: _____
 LOCATION: _____

Product Description

The Vari-Flow Temperature Controller (VFTC/VFTC-N) is used to modulate fan speed via a 0-10VDC output signal to a Vari-Flow motor. The signal varies directly with the difference between the ambient temperature and the temperature set point. Setup is configured via a pushbutton menu and digital readout.

Monitoring capability is achieved through dry contact set points. VFTC-N is BACnet or Modbus network-compatible (selectable via menu).



Specifications

Temperature Range	50°F to 104°F (10°C to 40°C)
Accuracy	+/- 0.8°F (0.4°C)
Resolution	+/- 0.2°F (0.1°C)
Power Supply	24V
Minimum Conductor	18 AWG (8mm ²) copper or equivalent
Inputs	(2) Configurable analog inputs: 0–10VDC, Thermistor (10k Type 3), or digital input (dry contact)
Outputs	(2) Binary outputs (BO1 and BO2), dry contacts 24VAC, 1A max/3A max inrush (2) Analog outputs (cooling and/or heating, 0–10VDC)
Contacts	NO and NC field configurable settings
Operating Temperature	32°F to 104°F (0°C to 40°C)
Storage Temperature	-22°F to 122°F (-30°C to 50°C)
Enclosure	IP 30 (EN60529, NEMA 1)
Weight	0.25 lb (120g)
Certifications	Conforms to UL 873, certified to CSA C22.2 No. 24-93
Networking	BACnet (up to 76800 bps) (B-ASC) Modbus RTU slave (up to 57600) Parity/stop bit configuration: No parity, 2 stop bit; Even parity, 1 stop bit; Odd parity, 1 stop bit