



COOK

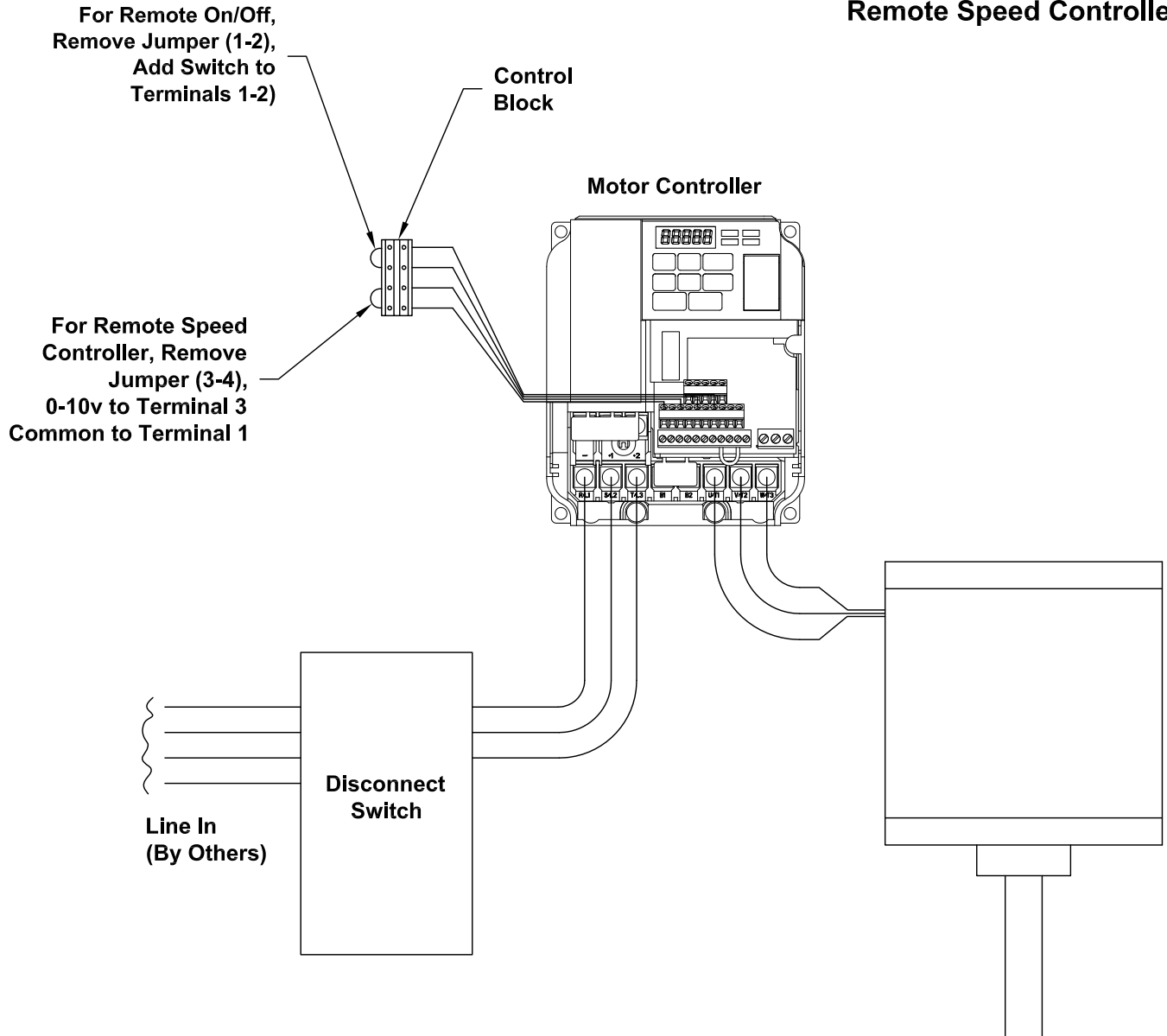
PM Motor Control

DATE: _____

PROJECT: _____

LOCATION: _____

Accessory Data Sheet
Symax Permanent Magnet Motor
Electronically Commutated
Internally Mounted Controller
Remote Speed Controller



Permanent Magnet Motor with External Mounted Controller.
For AC units the controller and disconnect are mounted under the unit top cap.