

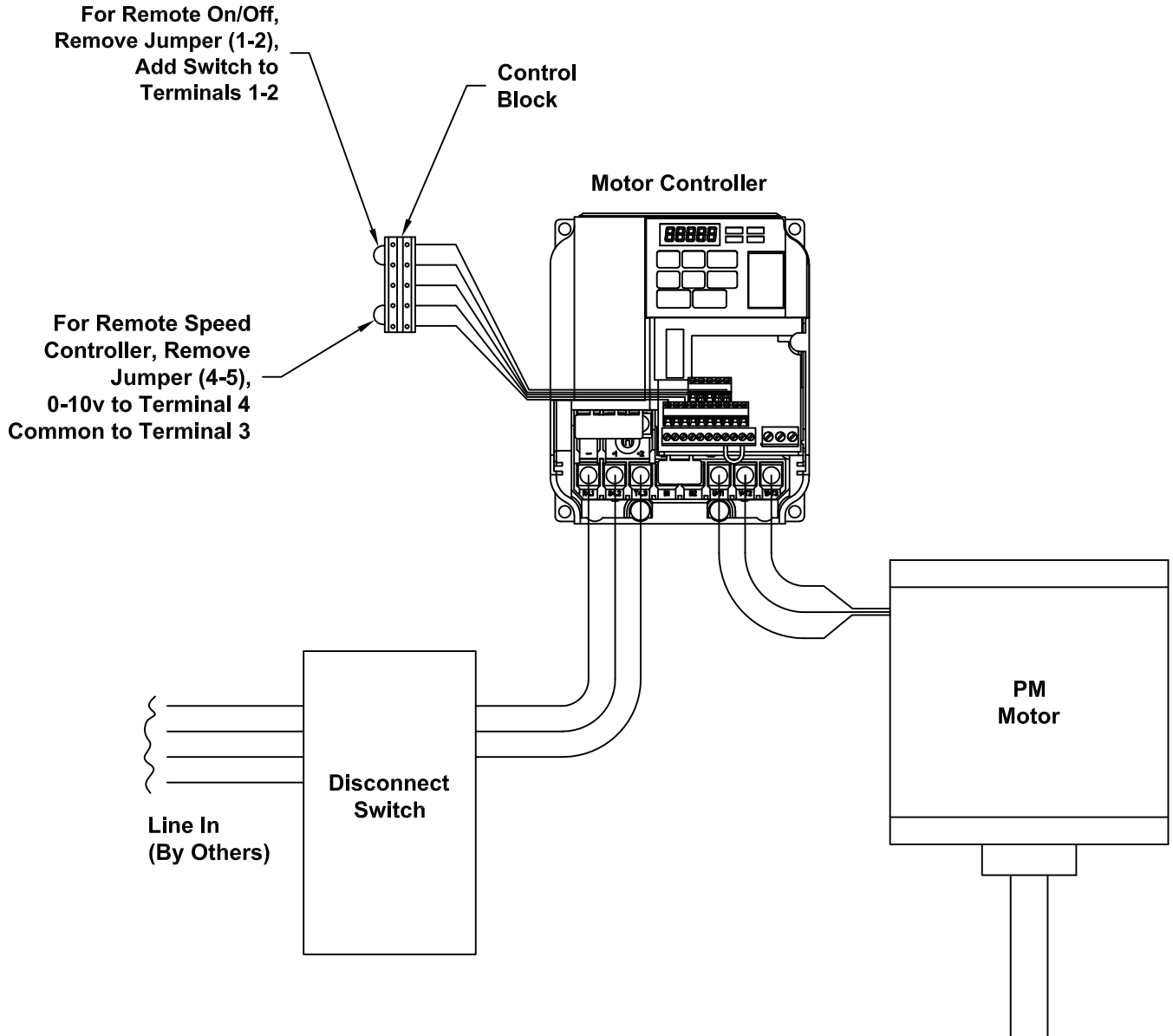


DATE: _____

PROJECT: _____

LOCATION: _____

Accessory Data Sheet
Permanent Magnet Motor
Electronically Commutated
Speed Control by Others



Permanent Magnet Motor with External Mounted Controller.
For AC units the controller and disconnect are mounted under the unit top cap.