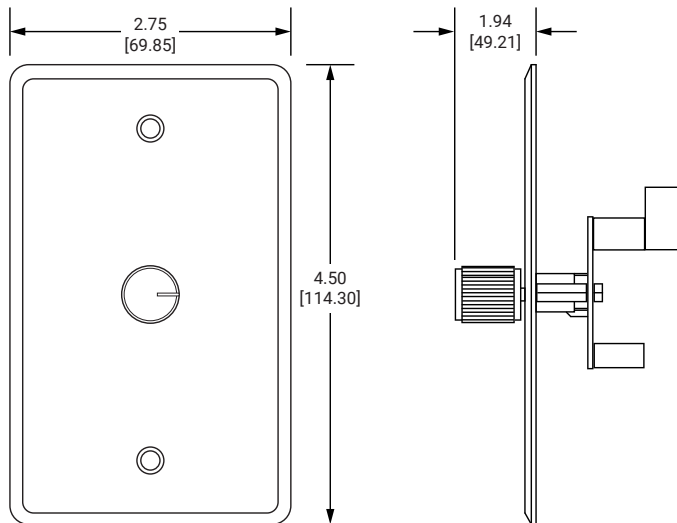


DATE: \_\_\_\_\_  
 PROJECT: \_\_\_\_\_  
 LOCATION: \_\_\_\_\_

### Product Description

The Vari-Flow Remote Speed Controller (VFRSC) is a control dial that allows the speed of a Vari-Flow motor to be set remotely as opposed to changing the speed at the motor itself. This provides a convenient way to utilize the full capabilities of the Vari-Flow motors. The VFRSC requires a 24VAC power source and outputs a 0-10VDC signal, which is used by all Vari-Flow motors. The VFRSC is designed to be wall mounted and comes with a stainless steel wall plate.



### Specifications

<b>Power Supply</b>	24VAC
<b>Minimum Conductor</b>	18 AWG (8mm <sup>2</sup> ) copper or equivalent
<b>Outputs</b>	(1) 0–10VDC
<b>Operating Temperature</b>	32°F to 104°F (0°C to 40°C)
<b>Storage Temperature</b>	-22°F to 122°F (-30°C to 50°C)
<b>Mounting</b>	Surface mount
<b>Weight</b>	0.15 lb (68g)