

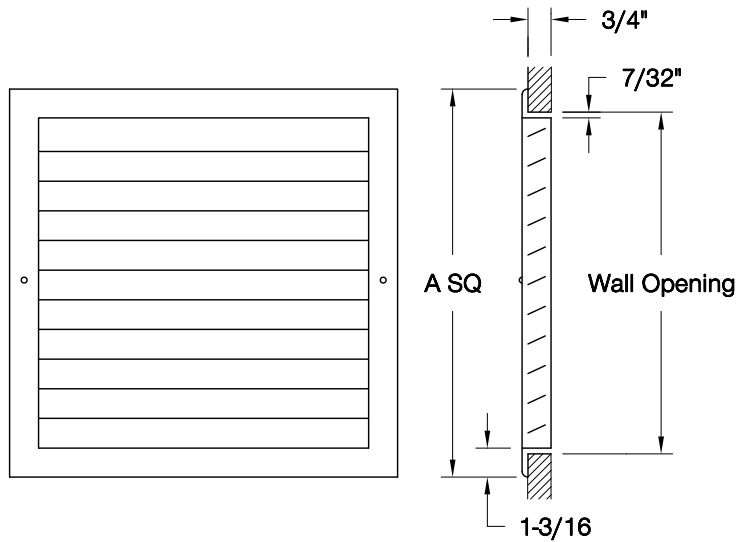


DATE: \_\_\_\_\_

PROJECT: \_\_\_\_\_

LOCATION: \_\_\_\_\_

Square Intake Grille  
ACW



### DIMENSION DATA

Unit Size	Cat. No.	A SQ	Wall Opening	Damper		Shipping Weight
				Model	Size	
70	SG-8	9-1/2	8	BD-8	7-3/4	2
90, 100	SG-10	11-1/2	10	BD-10	9-3/4	2
120, 135	SG-12	13-1/2	12	BD-12	11-3/4	3
150, 165	SG-16	17-1/2	16	BD-16	15-3/4	3
180, 195	SG-20	21-1/2	20	BD-20	19-3/4	4
210, 225, 245	SG-24	25-1/2	24	BD-24	23-3/4	4

ALL DIMENSIONS IN INCHES. WEIGHTS IN LBS.

### STANDARD CONSTRUCTION FEATURES:

All aluminum construction – Face bars permanently fixed into a extruded aluminum frame at a 40 degree angle – White enamel finish.