



COOK

Grease Trough

DATE: _____

Accessory Data Sheet

PROJECT: _____

Side Mount

LOCATION: _____

GREASE TROUGH - KEYWAY MOUNT

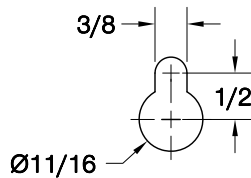
DIMENSION DATA

A	B	C	D	E	Ship Wt.
5	12	6-1/16	6-1/2	4-1/2	2

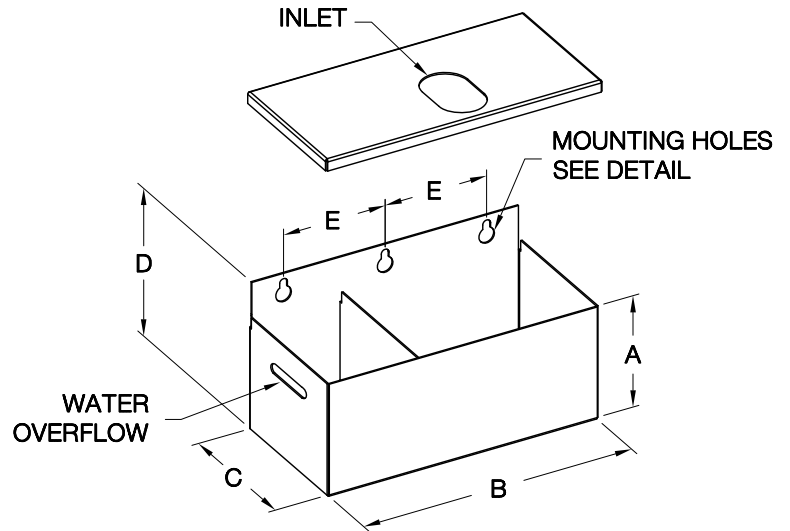
ALL DIMENSIONS IN INCHES. WEIGHTS IN LBS.

STANDARD CONSTRUCTION FEATURES:

All aluminum .063 construction – Continuously welded trough housing corners – Removable lid for servicing – Slotted mounting holes for easy removal – Baffled design for extended capacity.



MOUNTING HOLE DETAIL



GREASE TROUGH - HANGING

Note: Typical installation shown.

DIMENSION DATA

A	B	C	D	E	Ship Wt.
16-13/16	3-1/8	4-13/16	7-3/16	17-7/16	3

ALL DIMENSIONS IN INCHES. WEIGHTS IN LBS.

STANDARD CONSTRUCTION FEATURES:

All aluminum .063 construction – Continuously welded trough pan corners – Slide out pan with locking tabs for easy servicing – Hardware for easy mounting – Baffled design for extended capacity

