



COOK

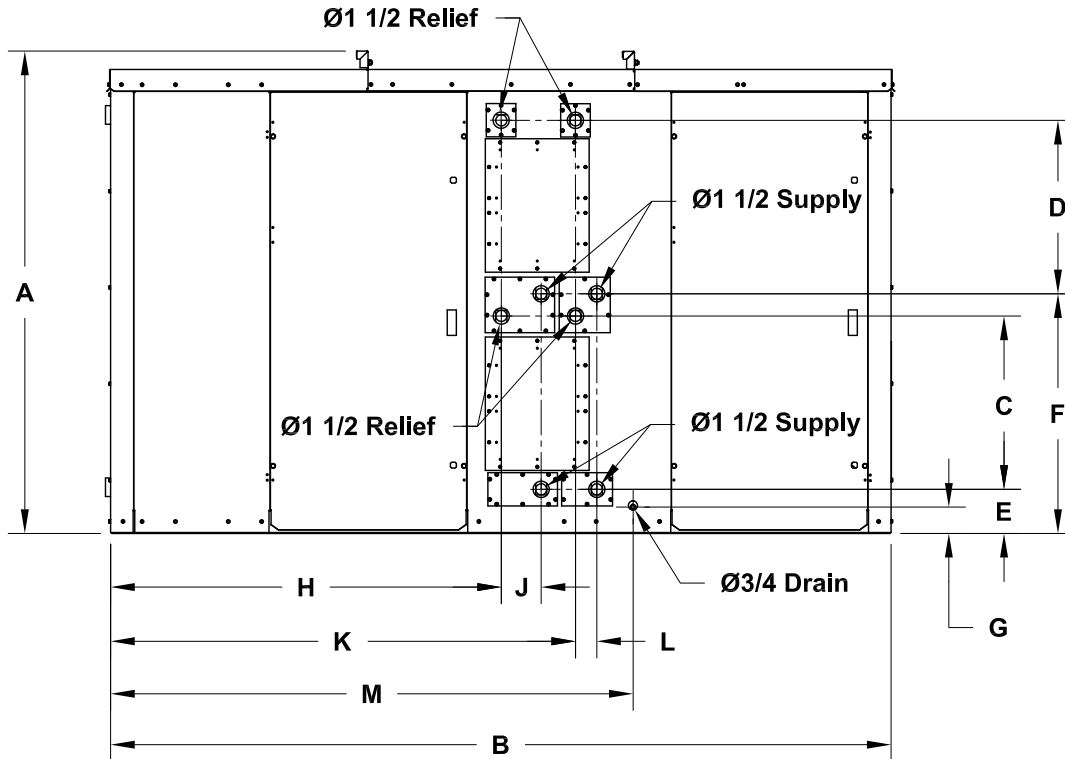
Coil Connections

DATE: _____

PROJECT: _____

LOCATION: _____

Accessory Data Sheet
Energy Recovery Ventilator
Internal Belt Drive
with Heating/Cooling Coils
Coil/Pipe Connections



DIMENSION DATA

| Size | A | B | C | D | E | F | G | H* | J* | K** | L** | M |
|-------|--------|---------|--------|--------|---|--------|---------|----------|-------|----------|-------|----------|
| 1500 | 42-5/8 | 90-1/4 | 28-3/8 | - | 6 | - | 3-13/16 | 43 | 2-7/8 | 53 | 2-7/8 | 60-13/16 |
| 2500 | 52-5/8 | 88 | 38-3/8 | - | 6 | - | 3-1/2 | 43-1/4 | 2-7/8 | 53-1/4 | 2-7/8 | 60-7/8 |
| 3500 | 59 | 100-1/2 | 43-3/8 | - | 6 | - | 3-3/4 | 50-3/16 | 2-7/8 | 60-3/16 | 2-7/8 | 68 |
| 4500 | 64-1/2 | 105-1/2 | 23-3/8 | 23-3/8 | 6 | 32-3/8 | 3-3/4 | 52-11/16 | 2-7/8 | 62-11/16 | 2-7/8 | 70-1/2 |
| 5500 | 71 | 105-1/2 | 28-3/8 | 23-3/8 | 6 | 37-3/8 | 3-3/4 | 52-5/8 | 2-7/8 | 62-5/8 | 2-7/8 | 70-1/4 |
| 7000 | 76-1/2 | 115-1/2 | 28-3/8 | 28-3/8 | 6 | 37-3/8 | 3-5/8 | 57-3/4 | 2-7/8 | 67-3/4 | 2-7/8 | 74-3/4 |
| 8500 | 83 | 115-1/2 | 33-3/8 | 33-3/8 | 6 | 42-3/8 | 3-3/4 | 56-13/16 | 2-7/8 | 67 | 2-7/8 | 74-13/16 |
| 10000 | 90 | 136 | 38-3/8 | 33-3/8 | 6 | 47-3/8 | 3-3/4 | 67-7/8 | 2-7/8 | 77-7/8 | 2-7/8 | 85-5/8 |

ALL DIMENSIONS IN INCHES.
* DIMENSIONS FOR "W" STYLE CHILLED WATER COILS.
** DIMENSIONS FOR "M" STYLE HOT WATER COILS.
SIZES 1500-3500 UTILIZE ONE COIL, PER COIL STYLE.
SIZES 4500-10000 UTILIZE TWO COILS, PER COIL STYLE.