



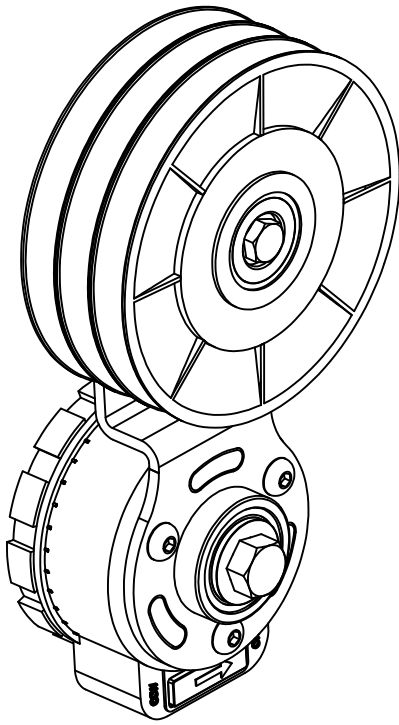
# COOK

# Automatic Belt Tensioner

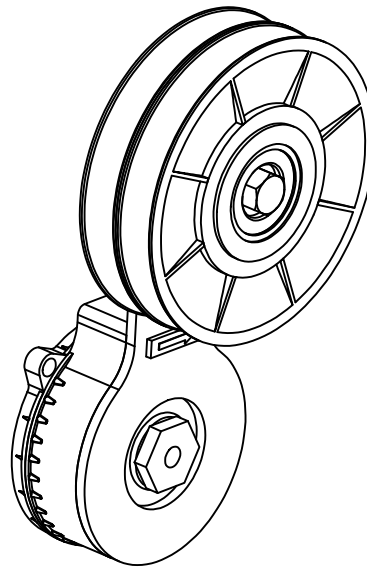
DATE: \_\_\_\_\_  
PROJECT: \_\_\_\_\_  
LOCATION: \_\_\_\_\_

## Accessory Data Sheet

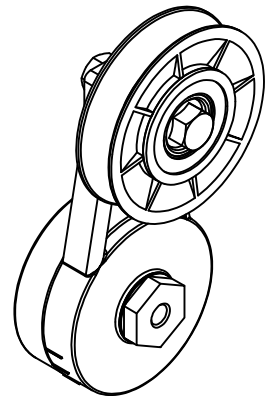
ACEB, ACRUB, ACW, ACSC, APB  
AQB, AWB, CPA, CPA-A, CPS  
CPS-A, CPV, EPB, ETE, ETS, EWB  
H-Series, LXU, LEU, LTU, SRSH  
SQN-B, TCNB, TCNHBLE, VCR  
XLWH, XMWH, XLPH, XMPH



**RT 4000**  
15-20 HP



**RT 3000**  
5-10 HP



**RT 1000**  
1/6-3 HP

### BENEFITS:

The automatic belt tensioner maintains constant tension on the drive belt which offers two distinct benefits. It reduces startup and maintenance costs by continuously tensioning the belt throughout its life and also increases belt life by reducing slippage. The drive belt can be replaced in moments (by almost anyone) without special skills and tools normally needed to achieve proper belt tension. Too much tension can reduce the life of both the fan and the motor bearings. The COOK automatic belt tensioner will assure proper belt tension throughout the life of the fan, maximizing bearing life and fan reliability. The COOK automatic belt tensioner also increases drive and energy efficiency.

### STANDARD CONSTRUCTION FEATURES:

Factory installed on rigid structure, mounted to slack side of belt(s)  
-Rugged heavy-duty construction - Ball bearing idler pulley  
- Die-cast aluminum body.

**Belt tensioner should never be used on reversible fans.**

X1270R00